

# SC10GT

SHORT COURSE



#7093 SC10GT RTR



**NITRO  
POWERED**  
Ready-To-Run

1:10 Scale Nitro 2WD Off Road Race Truck Manual & Catalog 4/12

# TEAM ASSOCIATED



Designed in California, USA

## :: Introduction

Thank you for purchasing this Team Associated product. This assembly manual contains instructions and tips for building and maintaining your new SC10GT RTR. Please take a moment to read through this manual to help familiarize yourself with these steps.

Now you can have Team Associated's world class performance with true scale authenticity in a 1:10 scale nitro truck! Team Associated is proud to bring to you the SC10GT; a 1:10 scale nitro 2WD off road short course race truck.

Based on the ROAR National Winning RC10 GT2, the engineers behind the doors in Area 51 made the SC10GT both, all show and all go! The result is the SC10GT, an authentic scale experience at a level of performance that has never been seen before in 1:10 scale short course.

The SC10GT comes ready to run with a painted and decaled short course race truck body, KMC™ style wheels, aggressive tread multi-terrain tires, all that have been designed to look just like the full-size race trucks that run in short course off-road series around the country. The world of high-performance 1:10 scale Nitro R/C has never before seen this level of scale accuracy! At first glance it's easy to see that the SC10GT is another champion by design!

## :: RTR Features

Features in the SC10GT RTR:

- V2 Dual disc slipper clutch.
- Modular radio tray that easily removes for cleaning and maintenance, and protects the receiver against fuel spills during pit stops.
- Radio tray has optional space for a high capacity 150cc fuel tank for longer run times.
- Special tuned pipe and header, which produces a perfect balance of maximum power and efficiency.
- V2 Blue anodized aluminum shock bodies.
- All new sealed battery box keeps the receiver batteries safe.
- Blue anodized aircraft aluminum chassis. Radical new chassis design adds tremendous rigidity for the ultimate in consistency and handling that no other truck can claim.
- Radical pre-printed body shell that any pro painter would be proud to produce.
- Our proven #2918 AE .18X engine will shock customers with its power and speed, like no other manufacturer's pull start engine sold in any RTR. Our Engine Replacement Policy is a win-win deal for customers and hobby shops.
- High traction JConcepts racing rear tires for consistent handling.
- Ball differential with lightweight outdrives
- Shielded bearings throughout the truck.
- Glow igniter, fuel bottle
- Rubber AE logo mud flaps

## :: Additional Items Needed:

- AA-size batteries for transmitter / receiver pack (x12) (#302, 303 recommended)
- One D-size battery (for the glow igniter)
- Model car fuel (20% - 30% nitro recommended)
- Glow plugs (#MC59 recommended)
- Slotted screwdriver (#1655, 1656, 1671, 1551)

## :: Optional Items:

- Battery charger (peak detection charger recommended) (#LRP41281, LRP41555)(#604 LiPo/LiFe, #610 NiCd/NiMH)
- Rechargeable receiver battery pack (#612, 630, 638)
- Glow plugs (#MC59)
- Starter Box for non-pull start engines (#1750 recommended)
- Thread Locking compound (#1596 recommended)
- FT Glow Igniter rechargeable (#1738 recommended)

## :: Other Helpful Items

- Silicone Shock Fluid (Refer to catalog for complete listings)

- Body Scissors (AE Part # 1737)
- FT Hex Wrenches (AE Part # 1541, 1655)
- FT Nut Drivers (AE Part #1561, 1663-1668)
- Soldering Iron (#LRP65800)

- Reamer / Hole Punch
- Needle Nose Pliers
- Calipers or a Precision Ruler
- Hobby Knife

- FT Turnbuckle Wrench (#1111)
- Multi Tool (AE Part #7494)
- Green Slime shock lube (AE Part # 1105)
- Wire Cutters

**Associated Electrics, Inc.**  
26021 Commercentre Dr.  
Lake Forest, CA 92630



**Customer Service**  
Tel: 949.544.7500  
Fax: 949.544.7501

**:: Table of Contents**

1.....Cover	43.....Setup Sheet "RTR Setup"
2.....Introduction	44.....1:1 Hardware "Fold Out"
3.....Table of Contents	45.....Setup Sheet "Blank"
<b>BAG A</b>	46.....Back Cover
4-8.....Steering, Front Shock Tower, and Bumper Build	
<b>BAG B</b>	
9-13.....Ball Differential, Gearbox, and Rear Shock Tower Build	
<b>Bag C</b>	
13-15.....Rear Suspension Build	
<b>Bag D</b>	
15-19.....Radio Tray Build	
<b>Bag E</b>	
19-20.....Throttle and Brake Linkage Build	
<b>Bag F</b>	
21-24.....Engine Build	
<b>Bag G</b>	
25-27.....Shocks Build	
27-28.....Tire Build	
28.....Body Installation	
29-30.....Tuning Tips	
31-40.....Catalog	
41.....Contact Info	
42.....Notes	

**:: Notes**

This symbol indicates a special note or instruction in the manual.



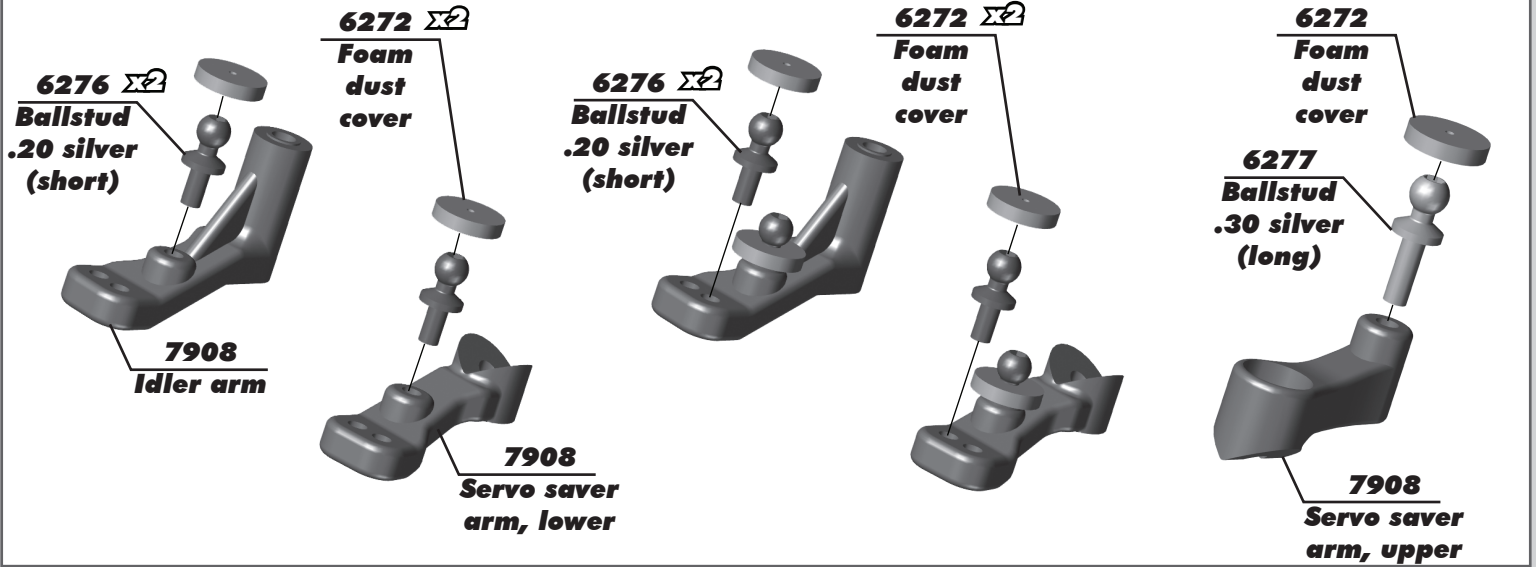
**There is a 1:1 hardware foldout page in the back of the manual. To check the size of a part, line up your hardware with the correct drawing until you find the exact size. Each part in the foldout has a number assigned to it for ordering replacement parts.**

**Associated Electrics, Inc.**  
26021 Commercentre Dr.  
Lake Forest, CA 92630

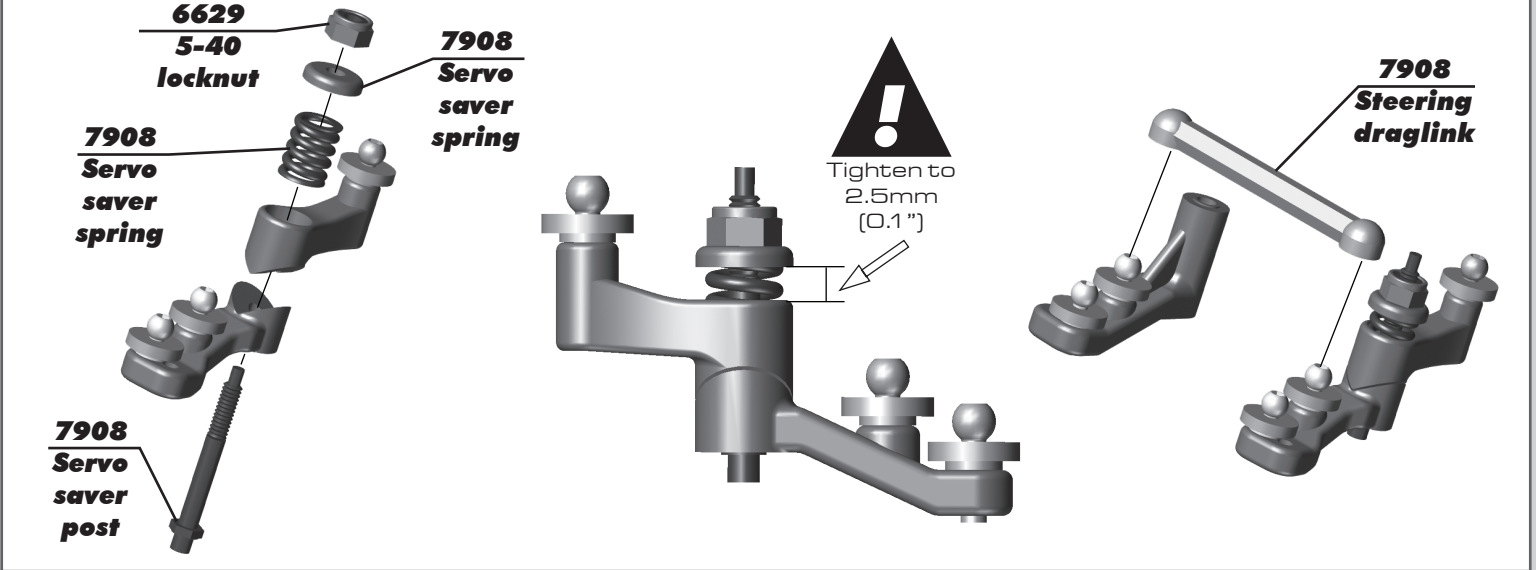


**Customer Service**  
Tel: 949.544.7500  
Fax: 949.544.7501

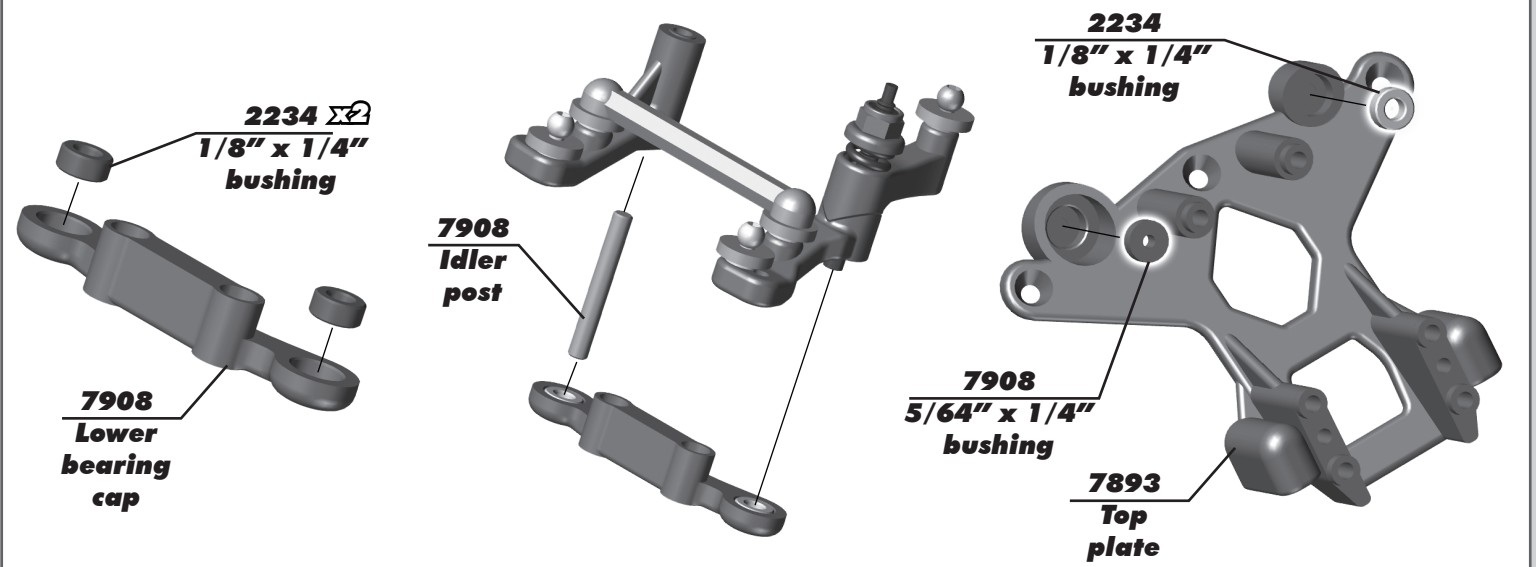
**:: Steering Build - Bag A**



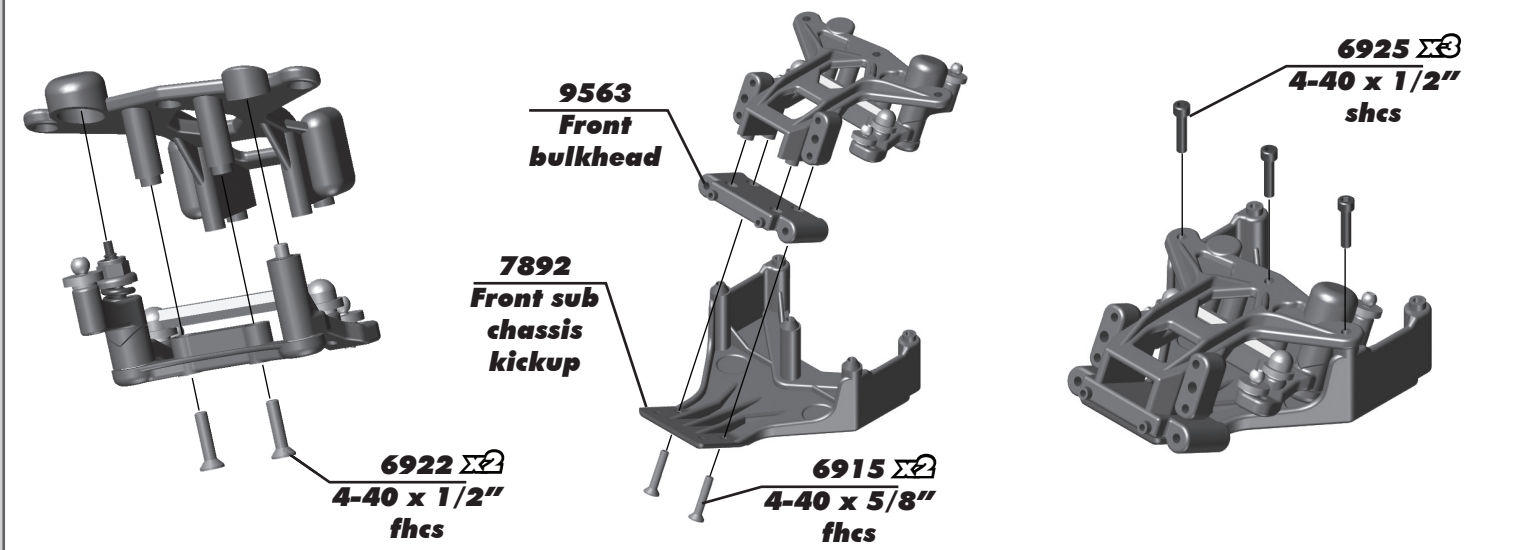
**:: Steering Build (cont.) - Bag A**



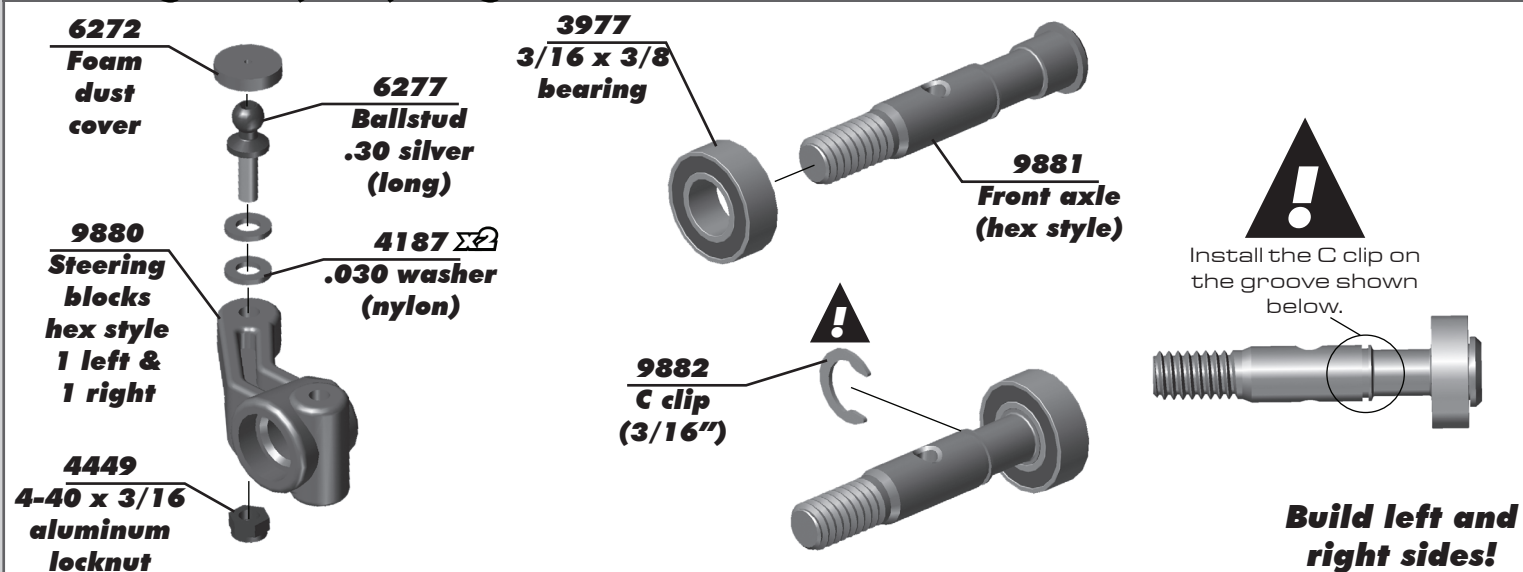
**:: Steering Build (cont.) - Bag A**



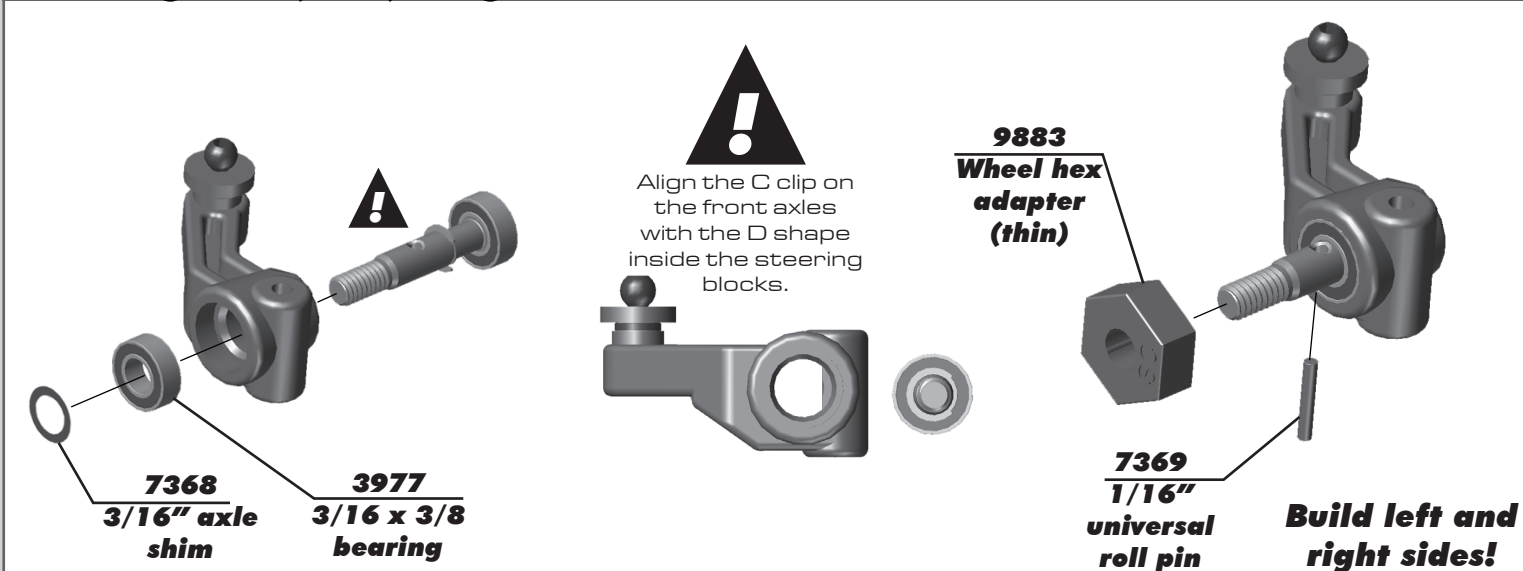
**:: Steering Build (cont.) - Bag A**



**:: Steering Build (cont.) - Bag A**



**:: Steering Build (cont.) - Bag A**



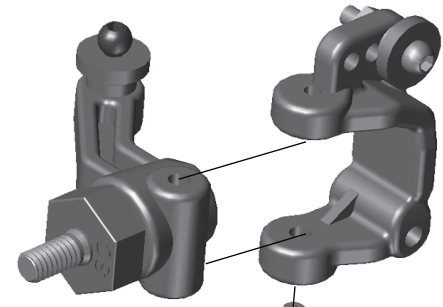
**:: Steering Build (cont.) - Bag A**

**7260**  
4-40  
small  
plain nut

**7922**  
Caster  
block  
(30°)

**3983**  
Ballstud  
.30 black  
(long)

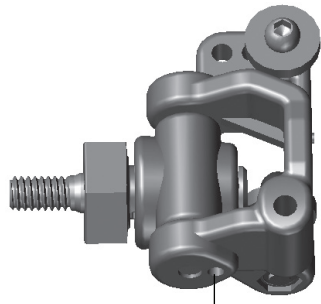
**6272**  
Foam  
dust  
cover



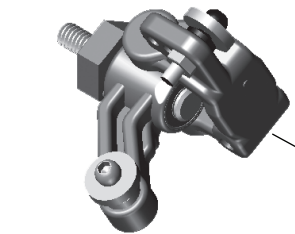
**7927**  
Outer  
hinge  
pin

**Build left and right sides!**

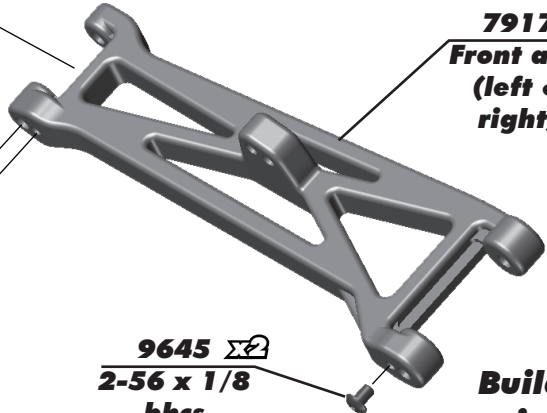
**:: Steering Build (cont.) - Bag A**



**9645**  
2-56 x 1/8  
bhcs



**7927**  
Outer  
hinge  
pin



**7917**  
Front arm  
(left & right)

**9645**  $\Sigma 2$   
2-56 x 1/8  
bhcs

**Build left and right sides!**

**:: Front Shock Tower/Bumper Build - Bag A**

**9621**  $\Sigma 2$   
Inner  
hinge pin

**4334**  $\Sigma 2$   
2-56 x 5/16  
bhcs

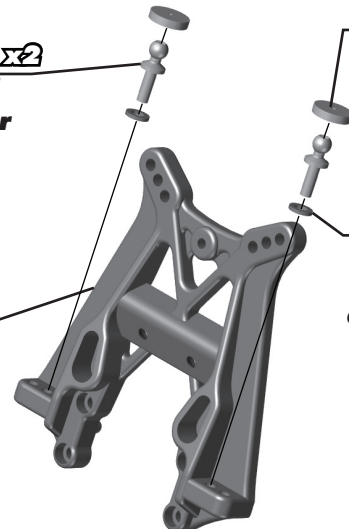
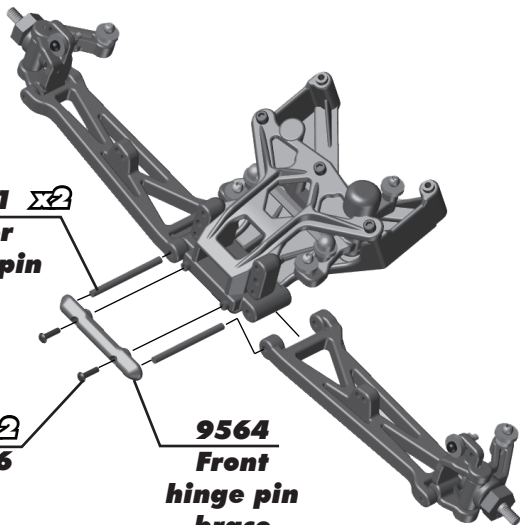
**9564**  
Front  
hinge pin  
brace

**9825**  
Front shock  
tower

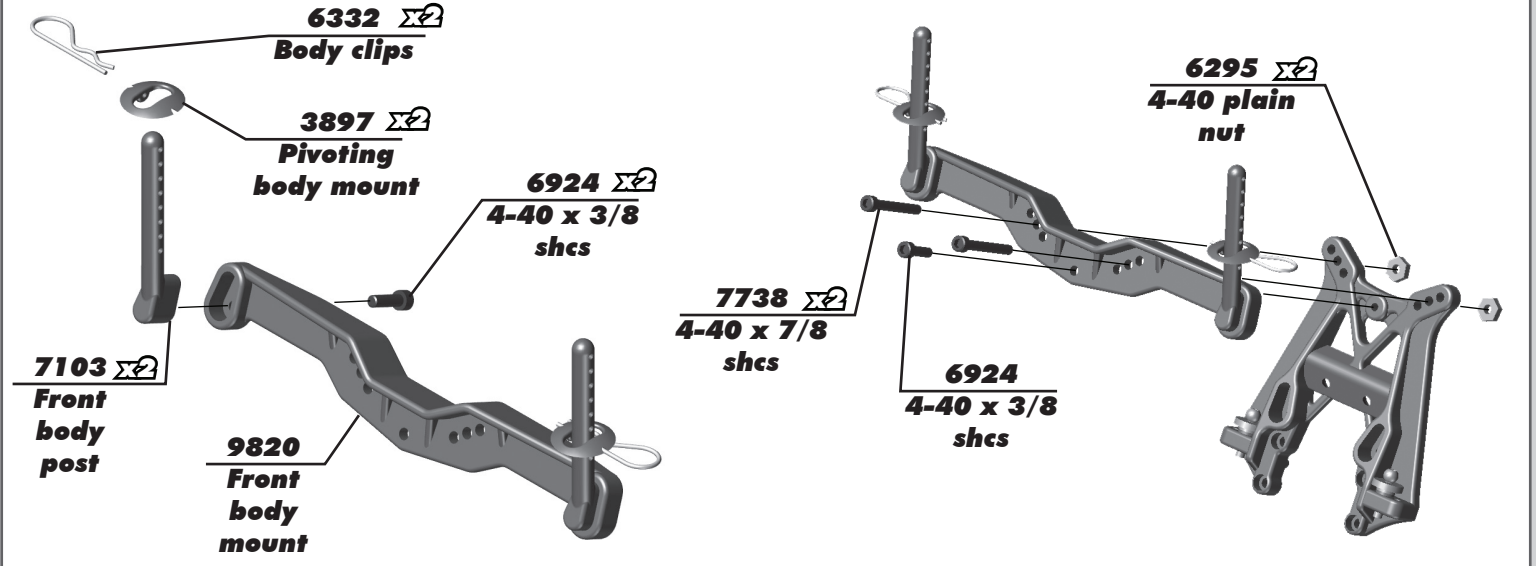
**6277**  $\Sigma 2$   
Ballstud  
.30 silver  
(long)

**6272**  $\Sigma 2$   
Foam  
dust  
cover

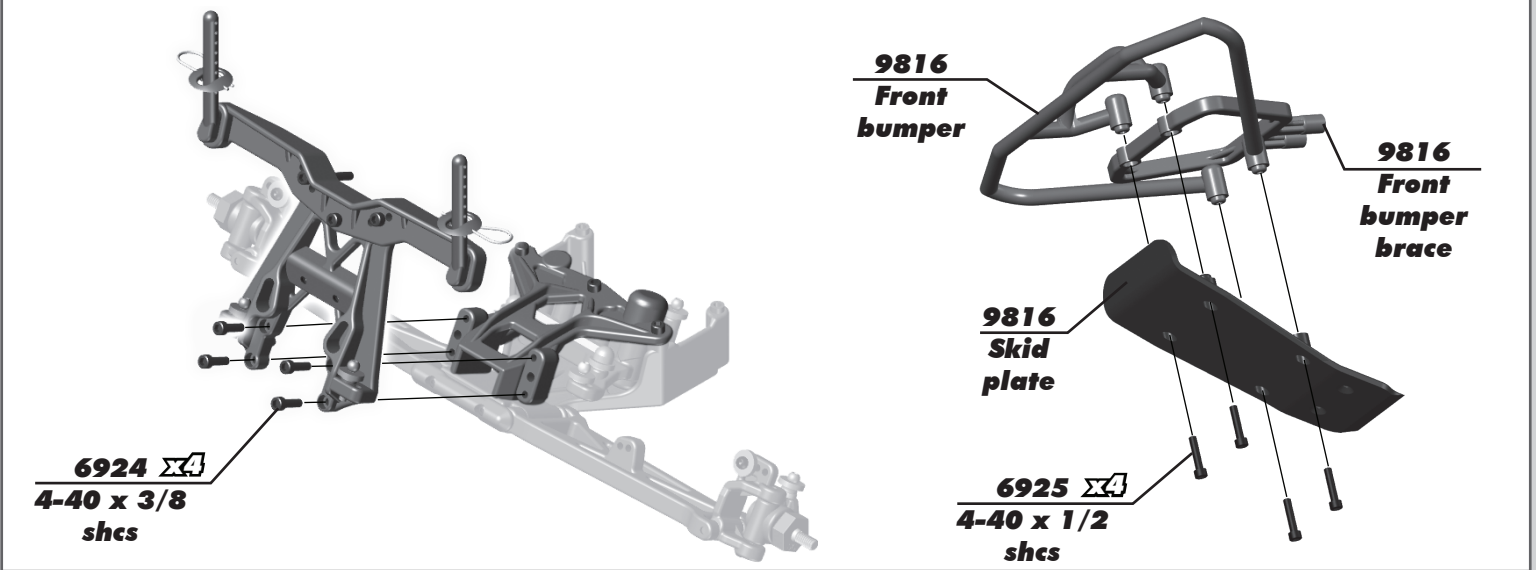
**9630**  $\Sigma 2$   
Ballstud  
washer,  
aluminum  
(.030")



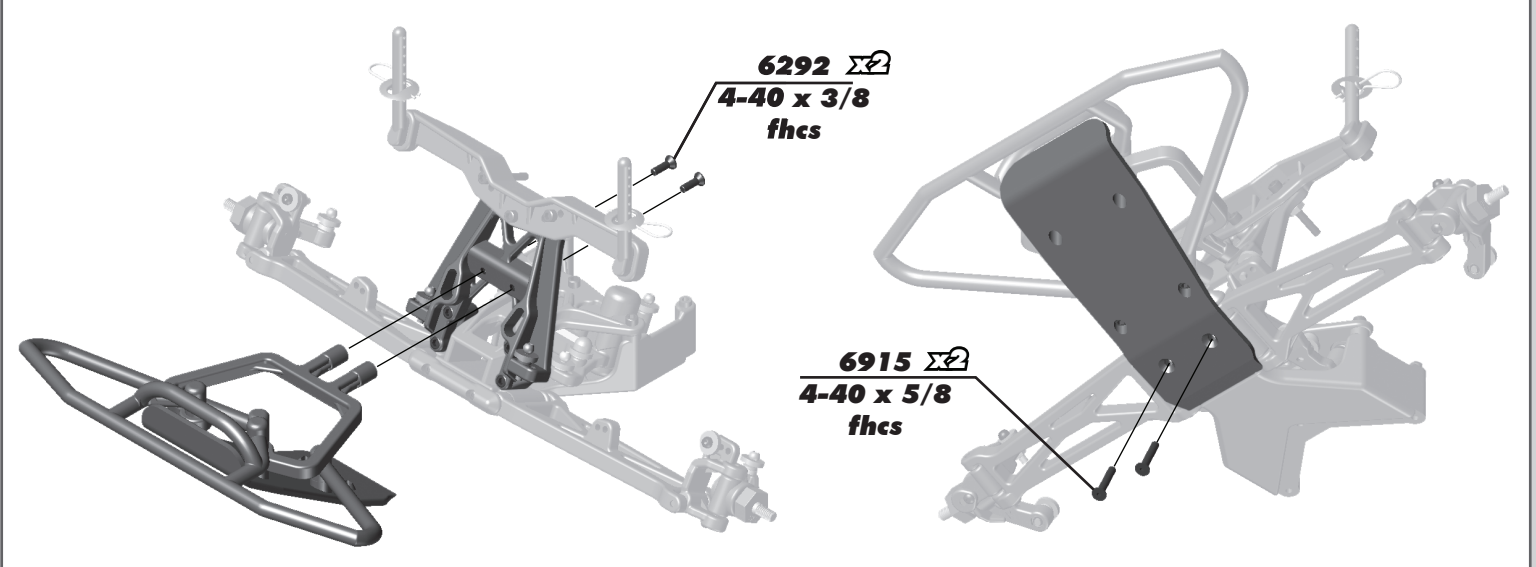
**:: Front Shock Tower/Bumper Build (cont.) - Bag A**



**:: Front Shock Tower/Bumper Build (cont.) - Bag A**



**:: Front Shock Tower/Bumper Build (cont.) - Bag A**



**:: Front Shock Tower/Bumper Build (cont.) - Bag A**

**7253**  $\Sigma 2$   
2.62" steel  
turnbuckle

**Front Camber  
Turnbuckle**

**48.5mm**

**7101**  $\Sigma 2$   
2.80" steel  
turnbuckle

**Steering Camber  
Turnbuckle**

**53mm**

**7230**  $\Sigma 4$   
Ballcup

**7230**  $\Sigma 4$   
Ballcup

**Build left and  
right sides!**

Orient the notch  
to the left throughout the  
car. It indicates which end  
has the left hand threads!

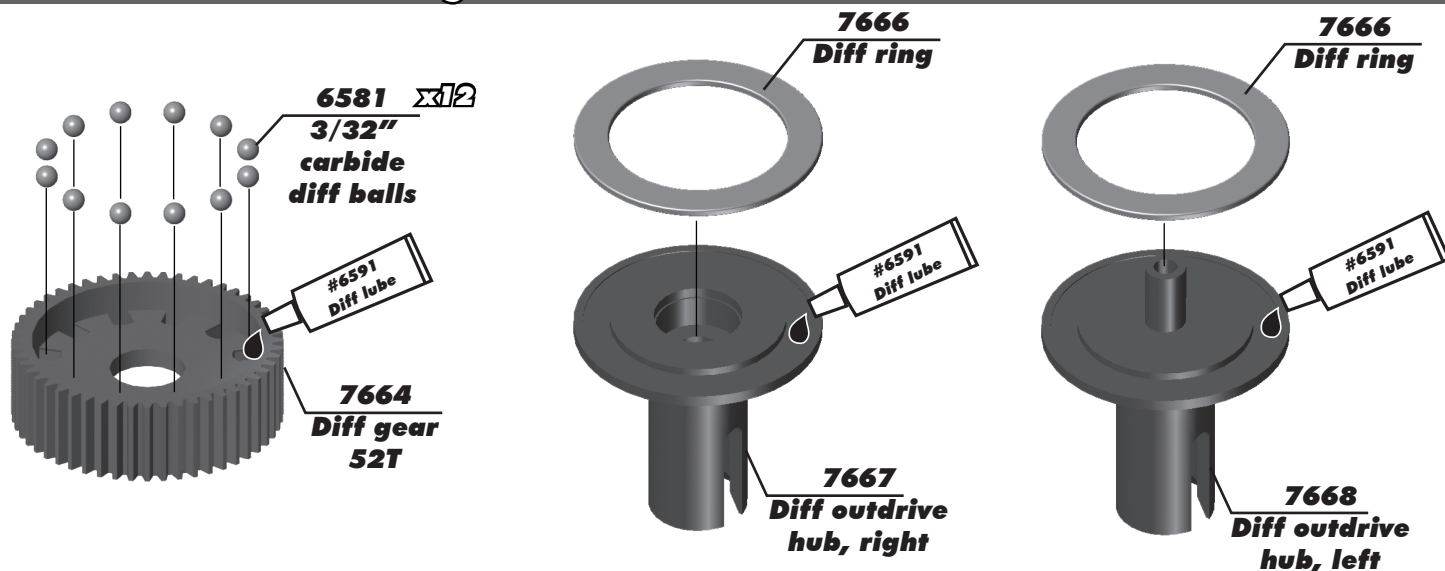
**:: Front Shock Tower/Bumper Build (cont.) - Bag A**

**7107  
SC10GT  
chassis**

**6922**  $\Sigma 3$   
4-40 x 1/2  
fhs



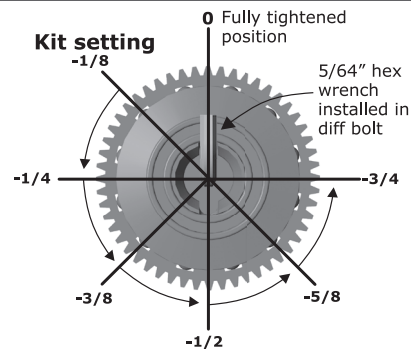
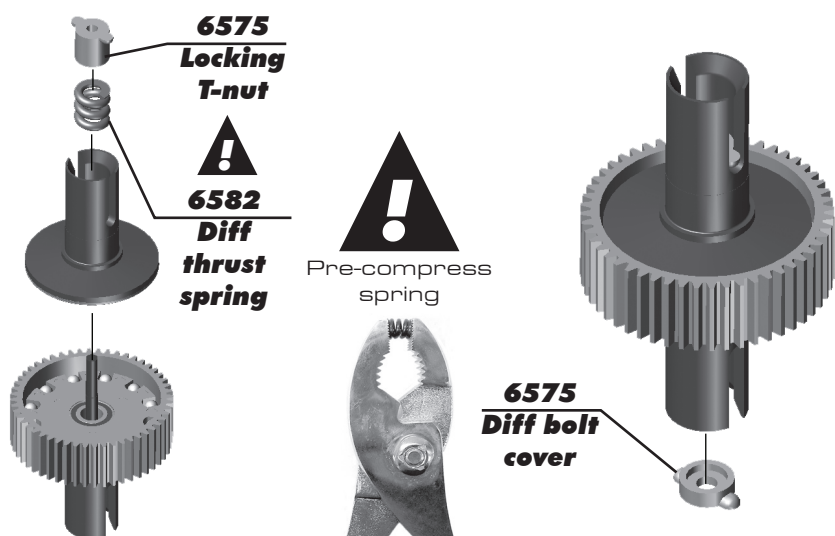
**:: Ball Differential Build - Bag B**



**:: Ball Differential Build (cont.) - Bag B**



**:: Ball Differential Build (cont.) - Bag B**

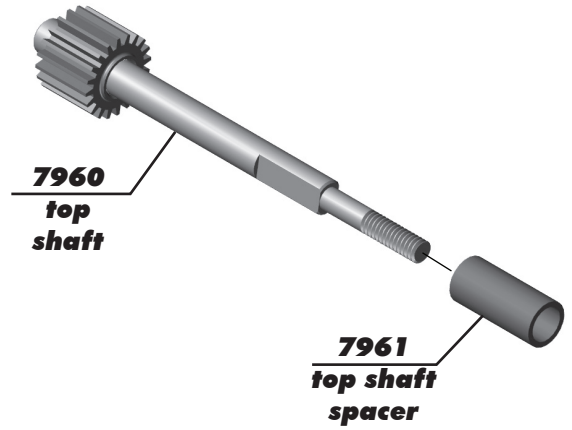
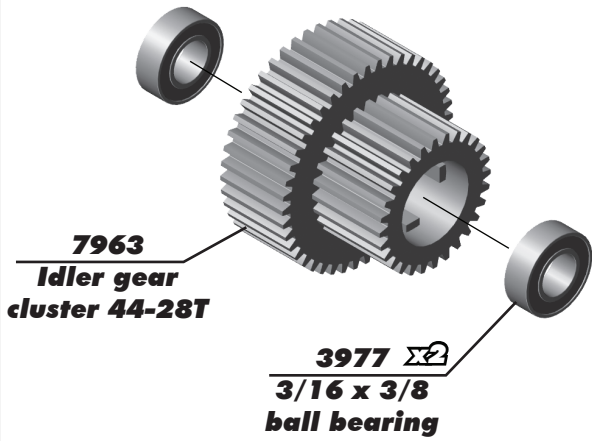


As you tighten the diff bolt, you will notice the T-nut ears moving closer to the bottom of the outdrive slot. This compresses the spring behind the T-nut. The spring should be completely compressed at the same time the T-nut reaches the end of the slot.

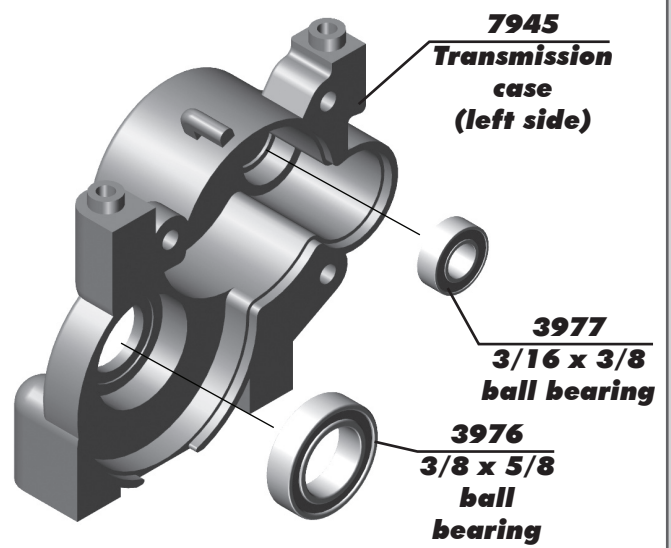
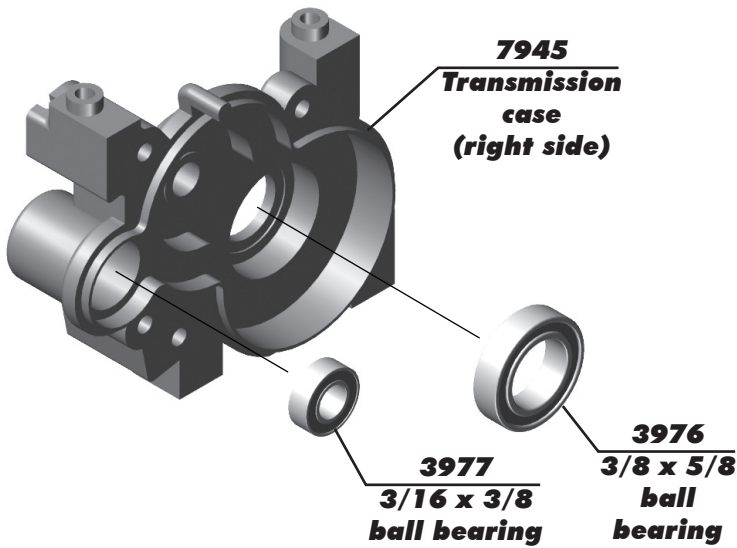
**CAUTION!** Pay close attention to the feeling when the spring is completely compressed. Do not over tighten the bolt. When you feel the spring completely compressed, loosen the diff bolt 1/8" of a turn. Your diff should now operate smoothly with resistance as the outdrives move in opposite directions.

After you have driven the car once, re-check the diff setting.

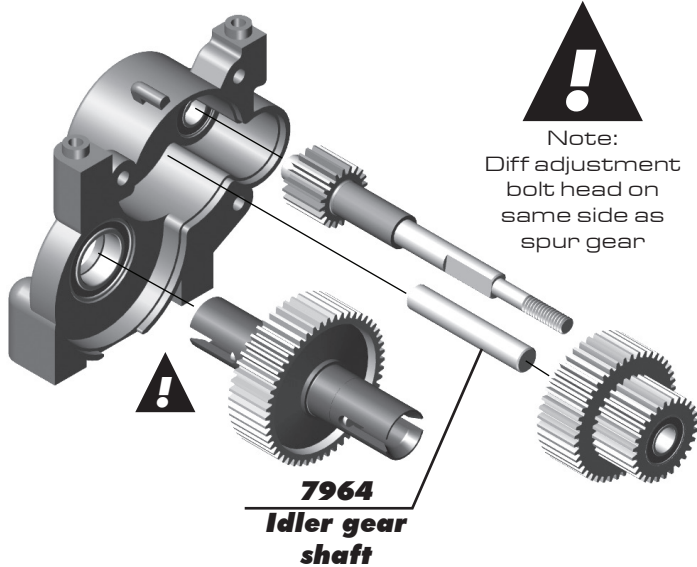
**:: Gearbox Build - Bag B**



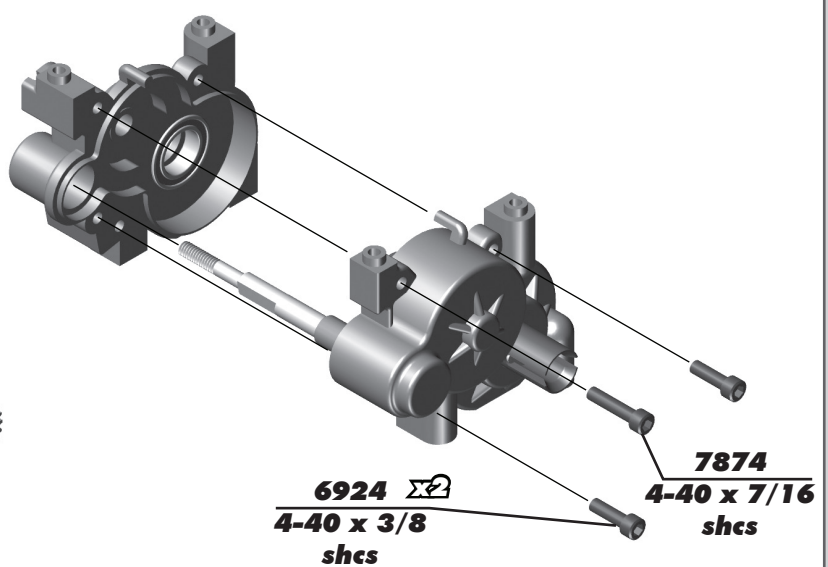
**:: Gearbox Build (cont.) - Bag B**



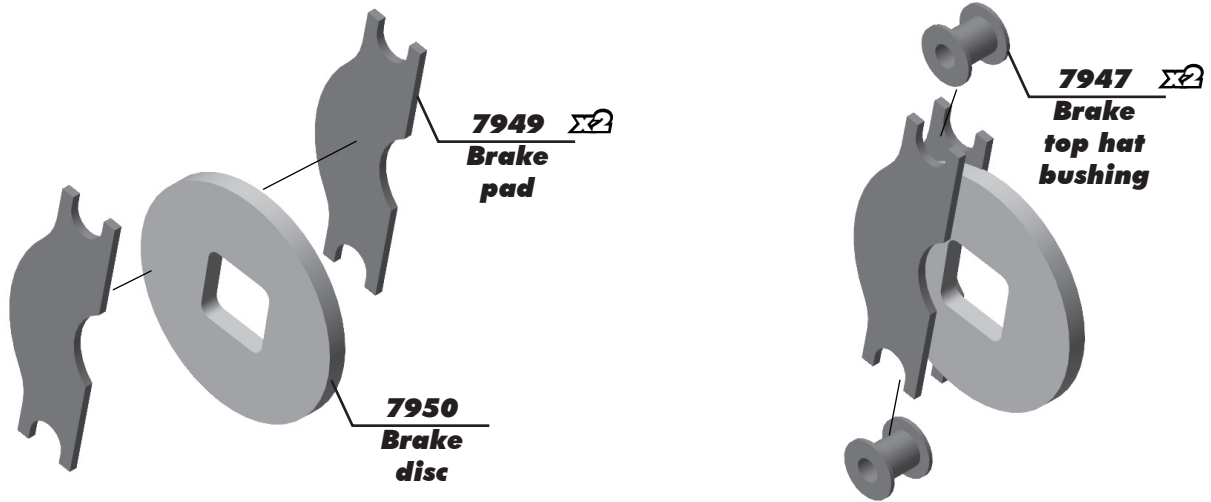
**:: Gearbox Build (cont.) - Bag B**



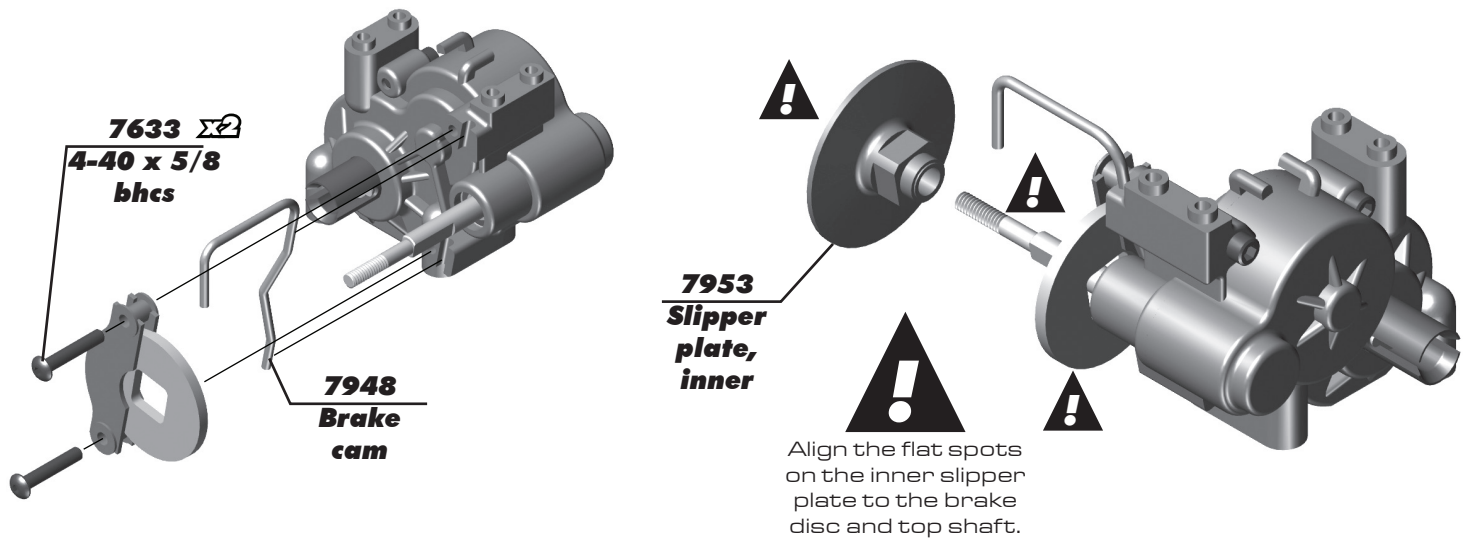
**!**  
Note:  
Diff adjustment  
bolt head on  
same side as  
spur gear



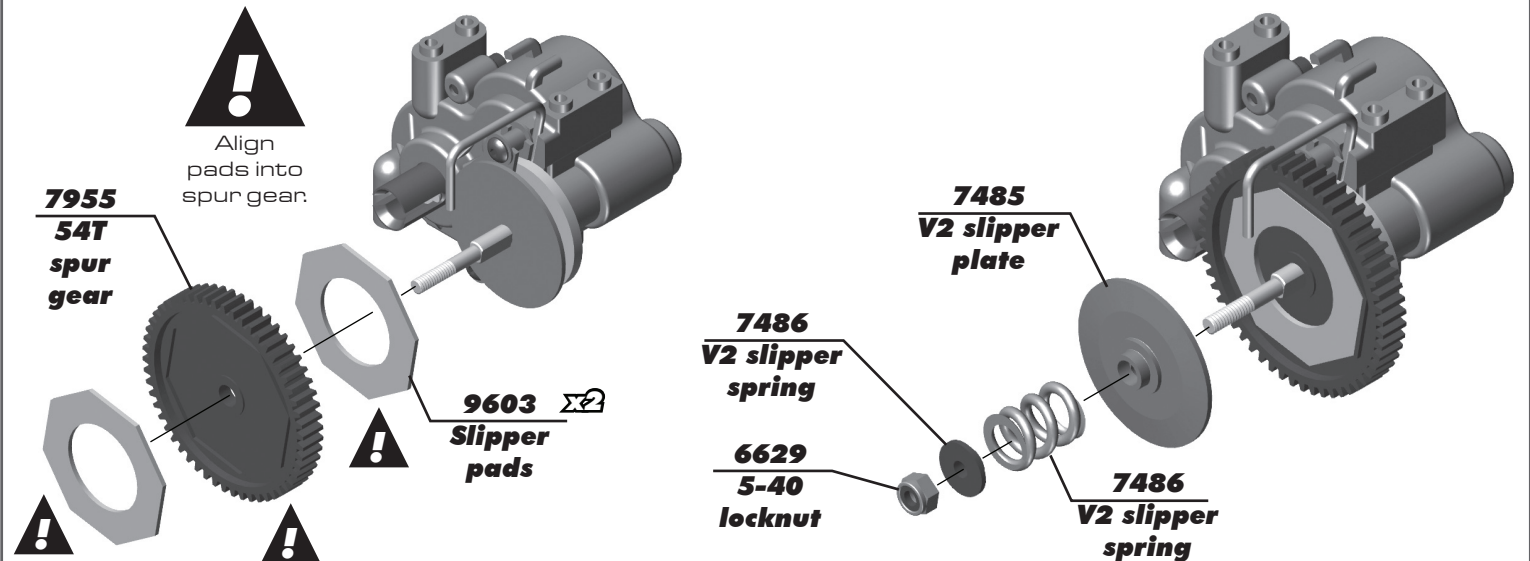
**:: Gearbox Build (cont.) - Bag B**



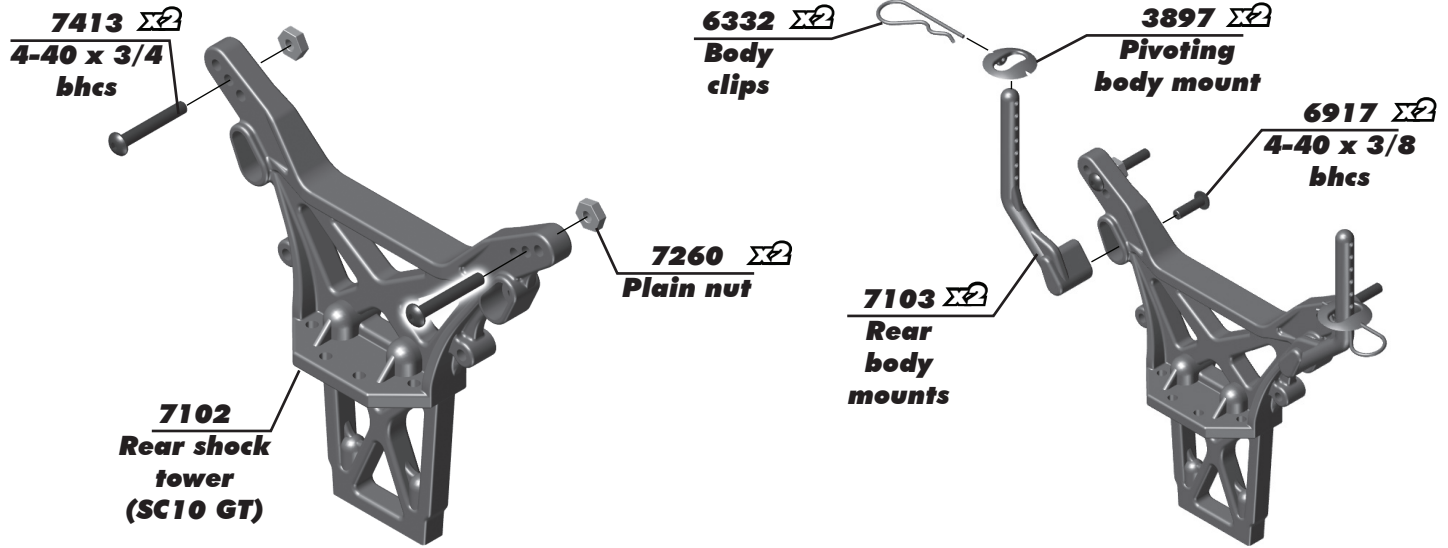
**:: Gearbox Build (cont.) - Bag B**



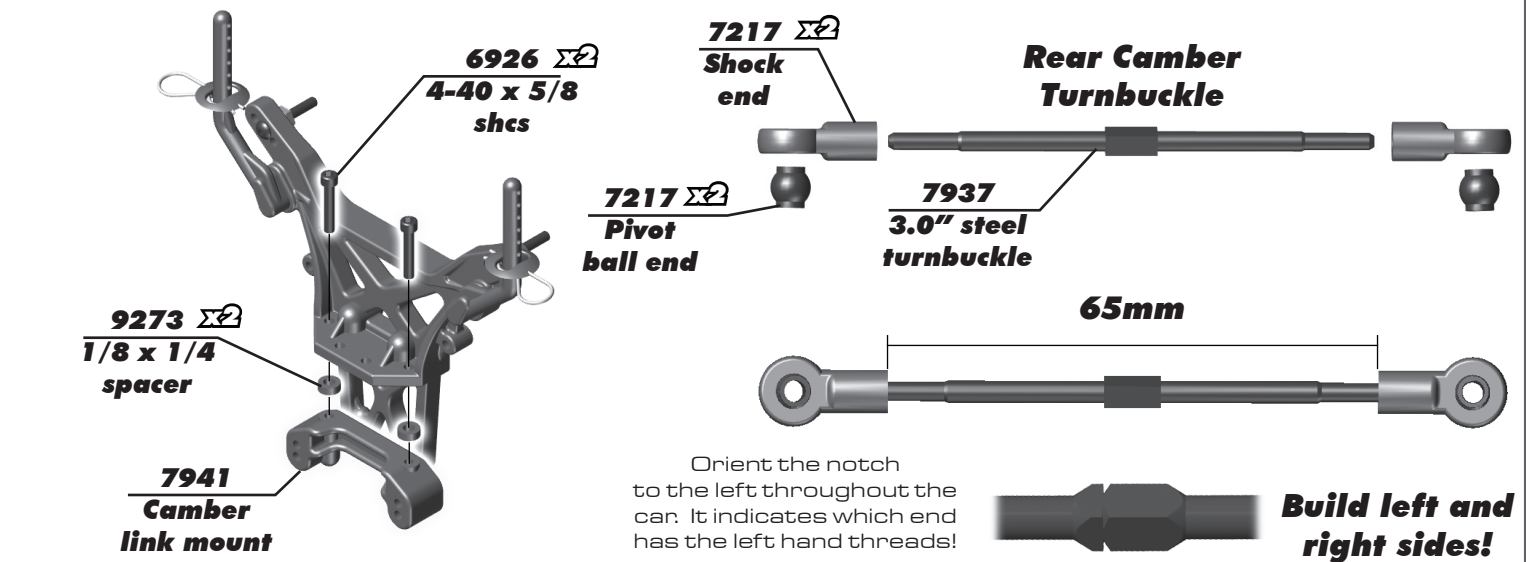
**:: Gearbox Build (cont.) - Bag B**



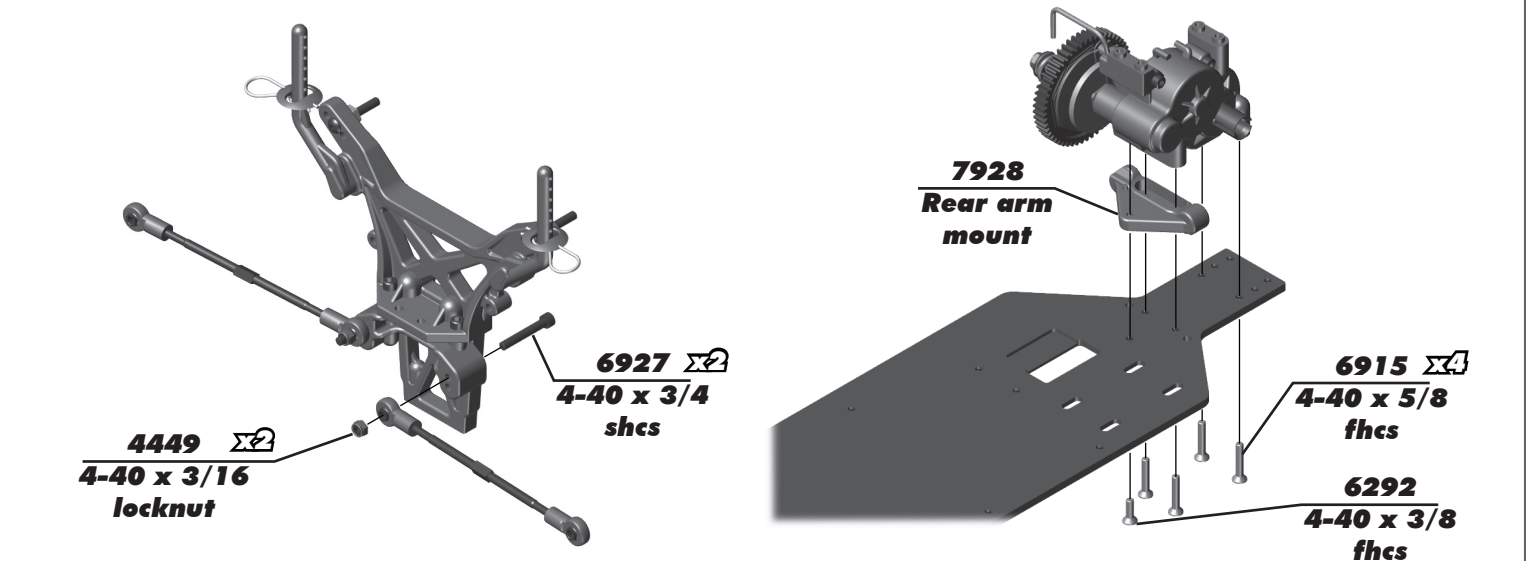
**:: Rear Shock Tower Build - Bag B**



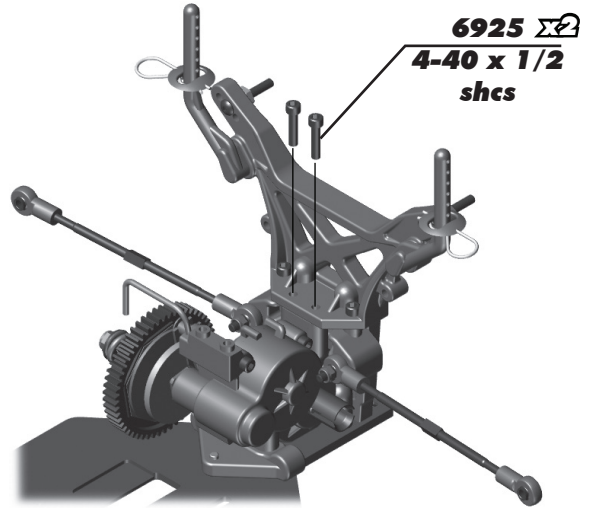
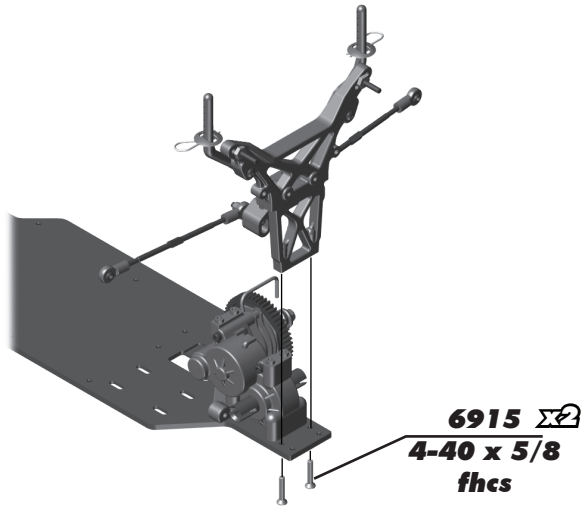
**:: Rear Shock Tower Build (cont.) - Bag B**



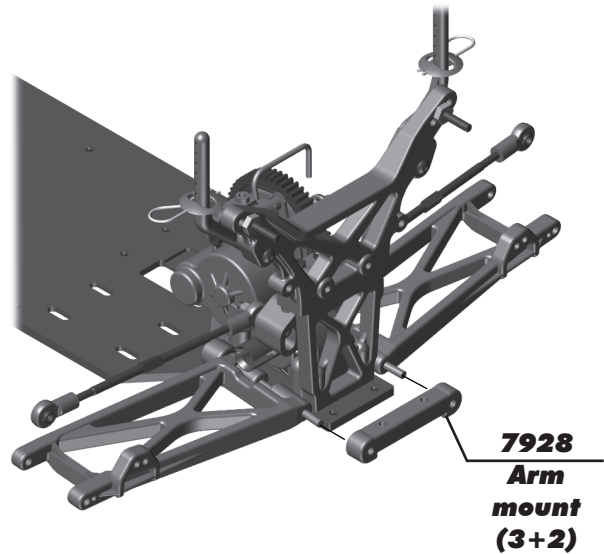
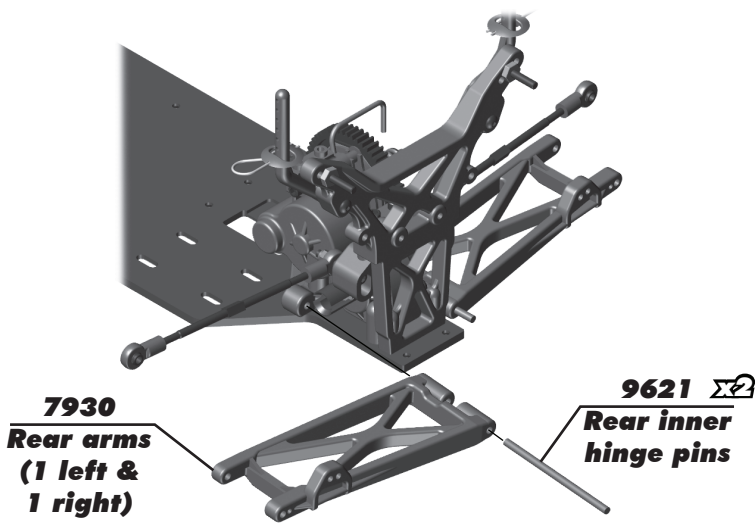
**:: Rear Shock Tower Build (cont.) - Bag B**



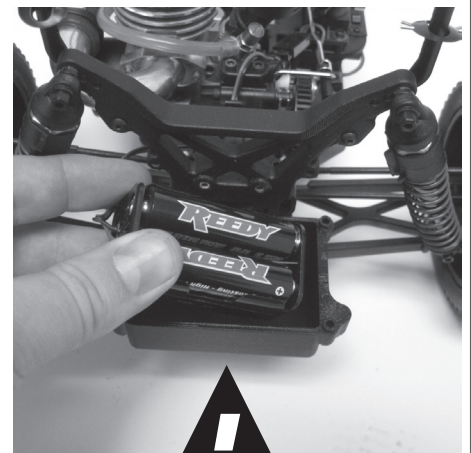
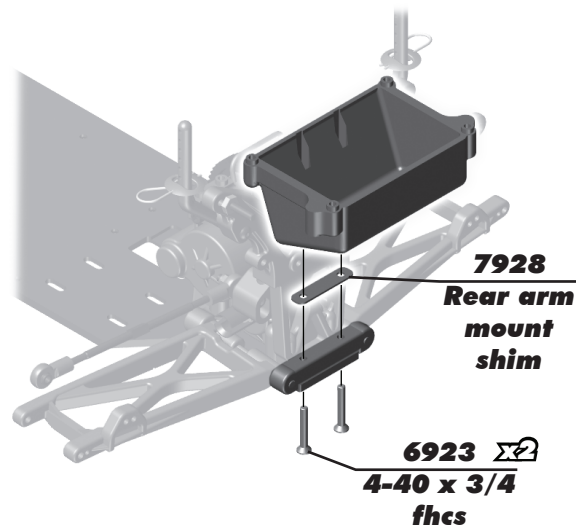
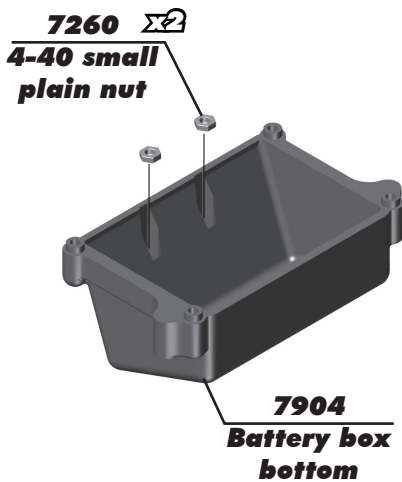
**:: Rear Shock Tower Build (cont.) - Bag B**



**:: Rear Suspension Build - Bag C**

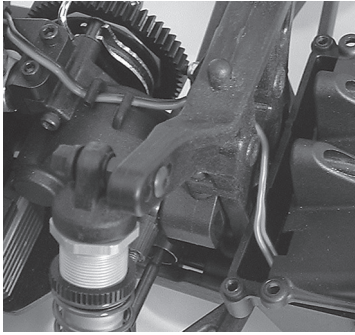


**:: Rear Suspension Build (cont.) - Bag C**

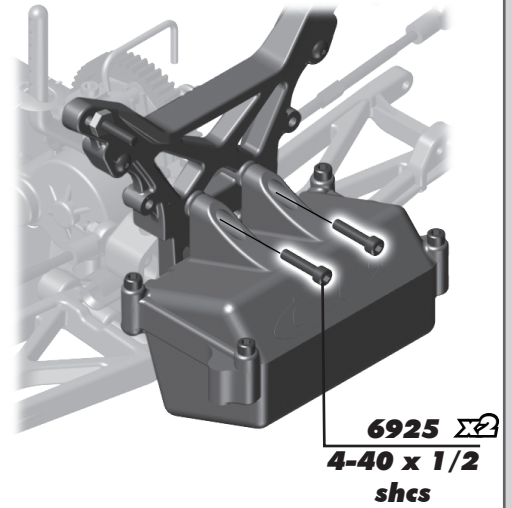
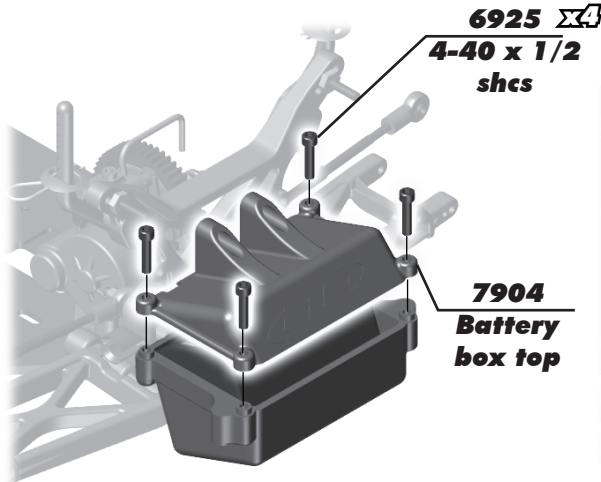


**!**  
Install receiver  
pack.

**:: Rear Suspension Build (cont.) - Bag C**

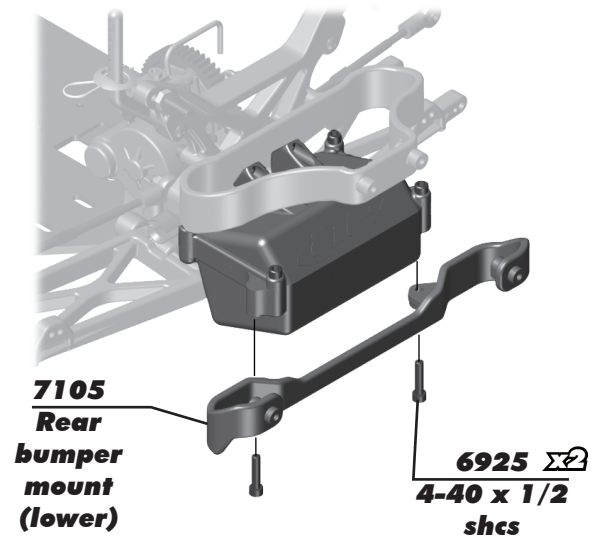
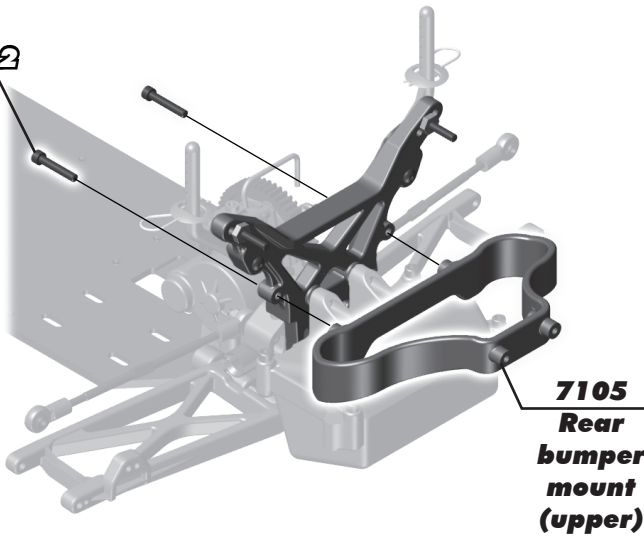


Note: Wire opening in receiver pack lid and wire hooks in transmission case.  
 Racer Tip: Add foam padding (not included) to cushion receiver pack.

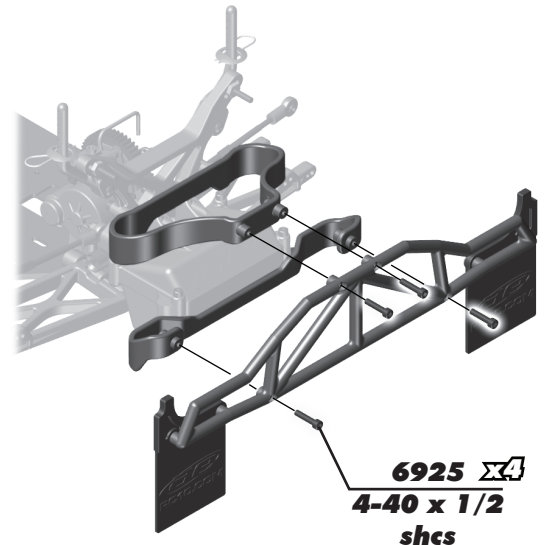
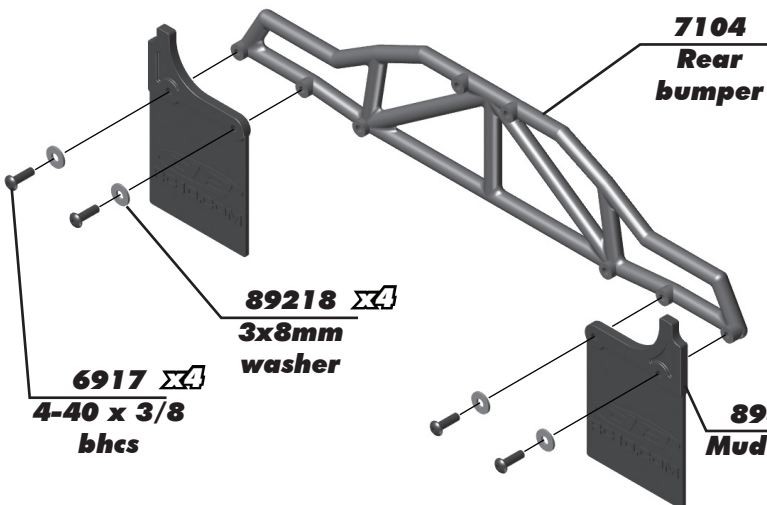


**:: Rear Suspension Build (cont.) - Bag C**

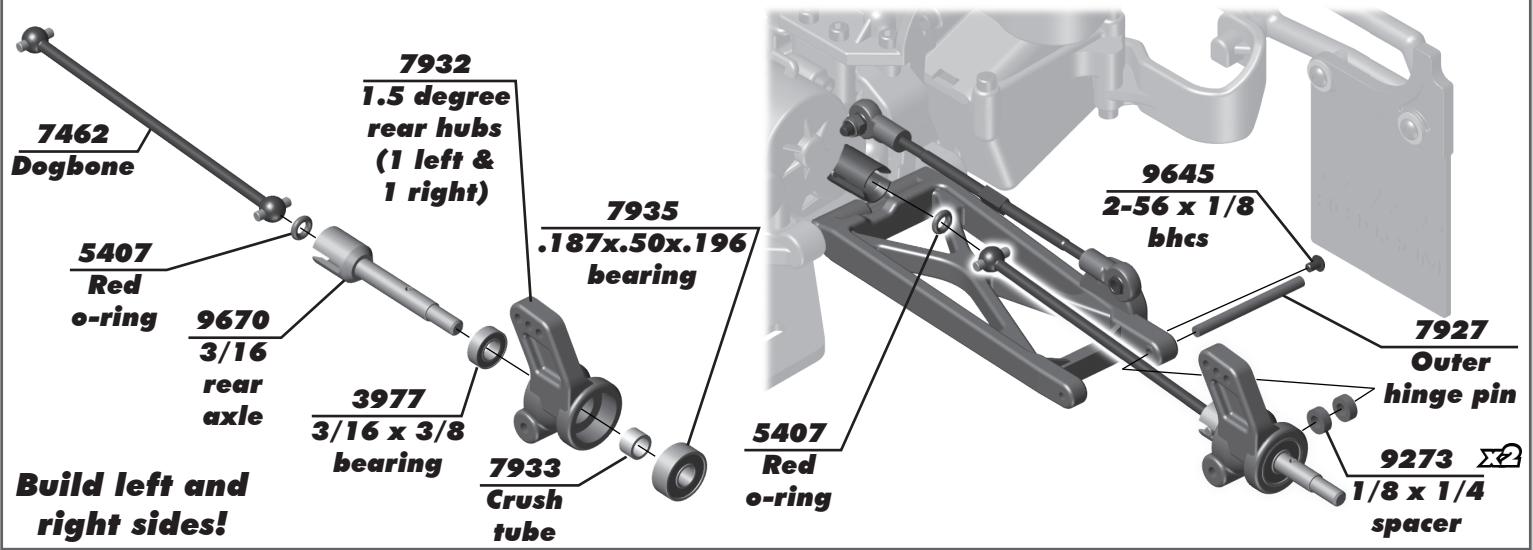
**6926**  $\Sigma 2$   
**4-40 x 5/8**  
**shcs**



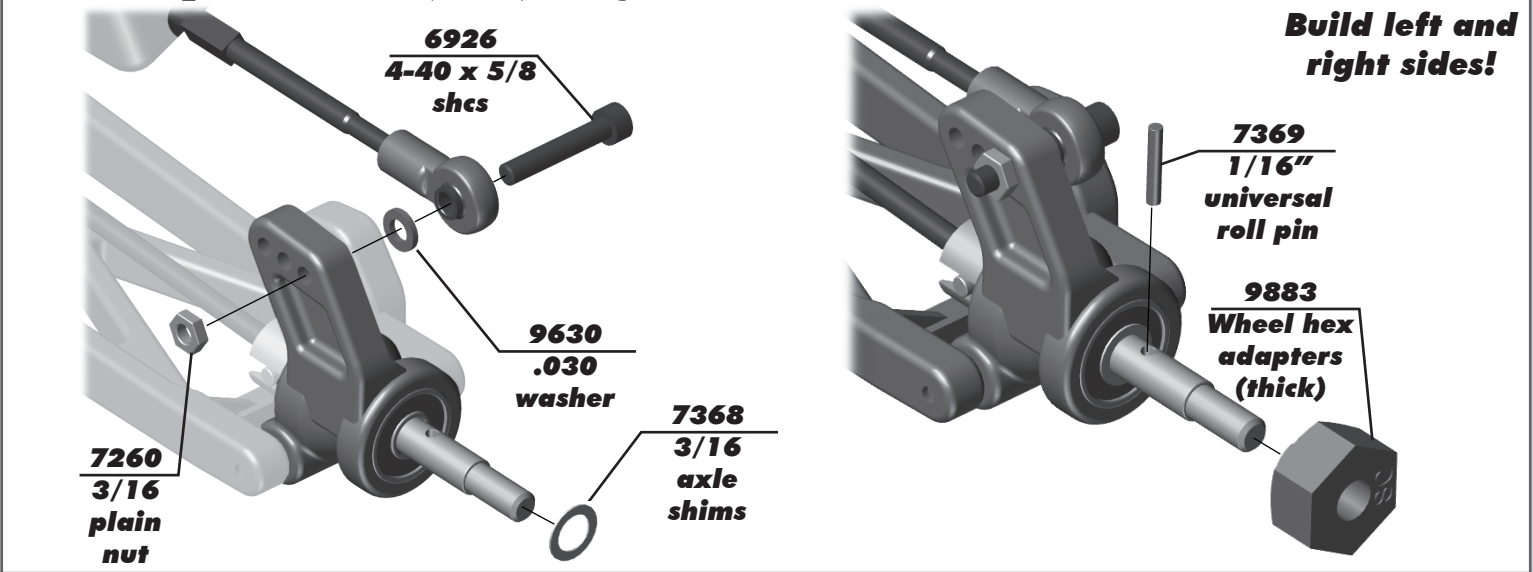
**:: Rear Suspension Build (cont.) - Bag C**



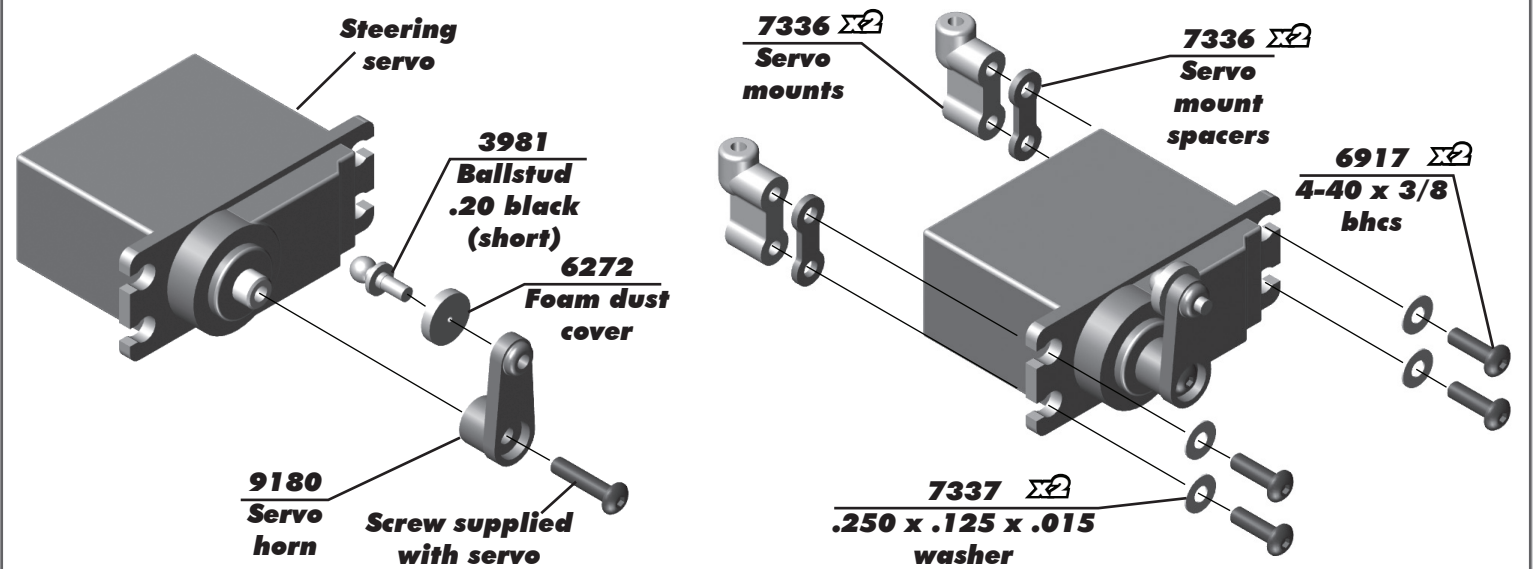
**:: Rear Suspension Build (cont.) - Bag C**



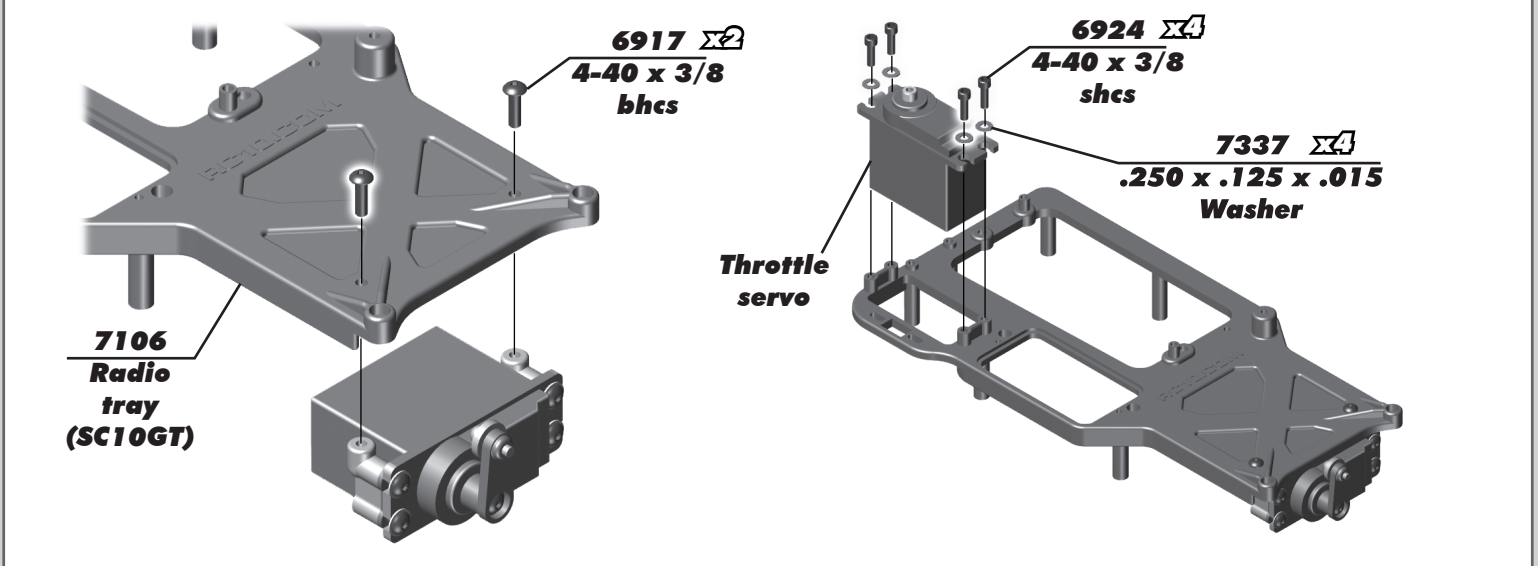
**:: Rear Suspension Build (cont.) - Bag C**



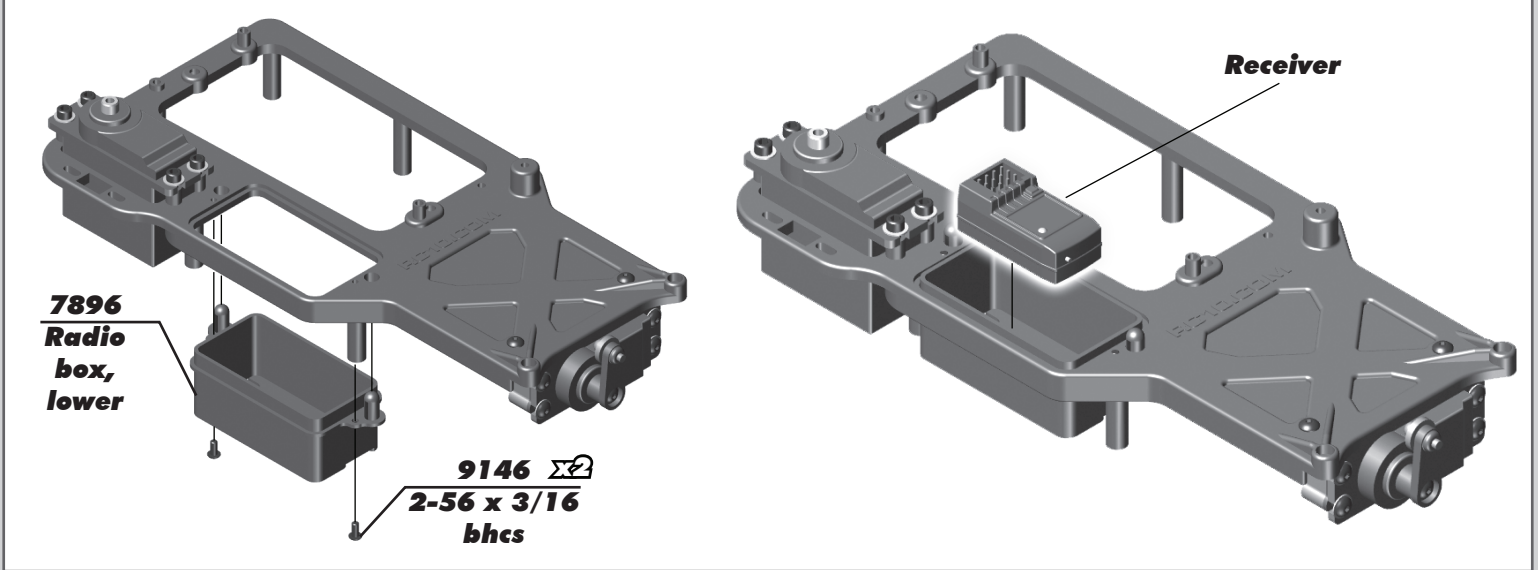
**:: Radio Tray Build - Bag D**



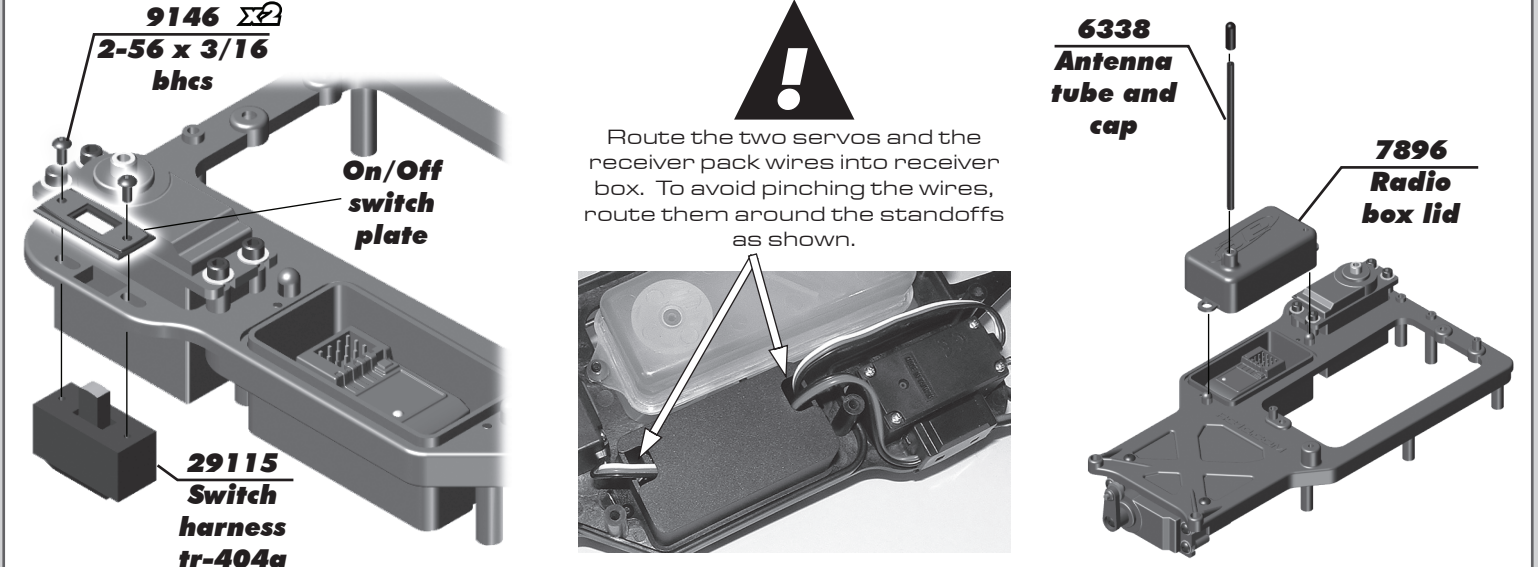
**:: Radio Tray Build (cont.) - Bag D**



**:: Radio Tray Build (cont.) - Bag D**

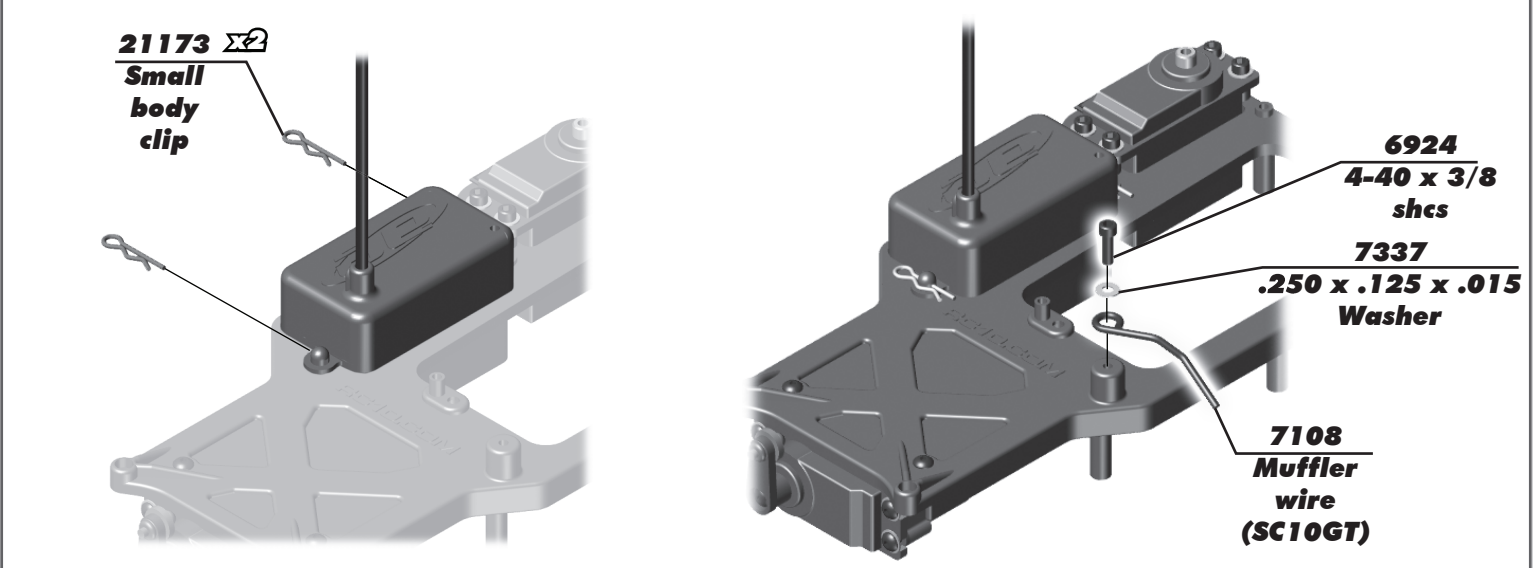


**:: Radio Tray Build (cont.) - Bag D**

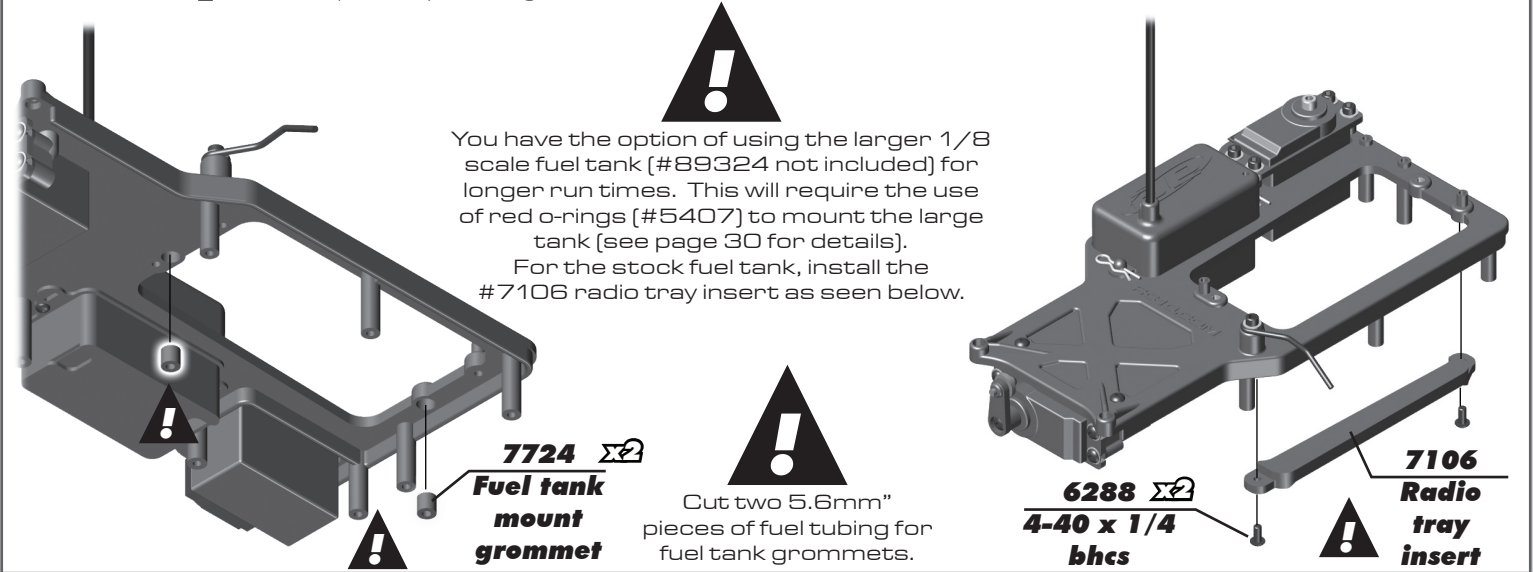




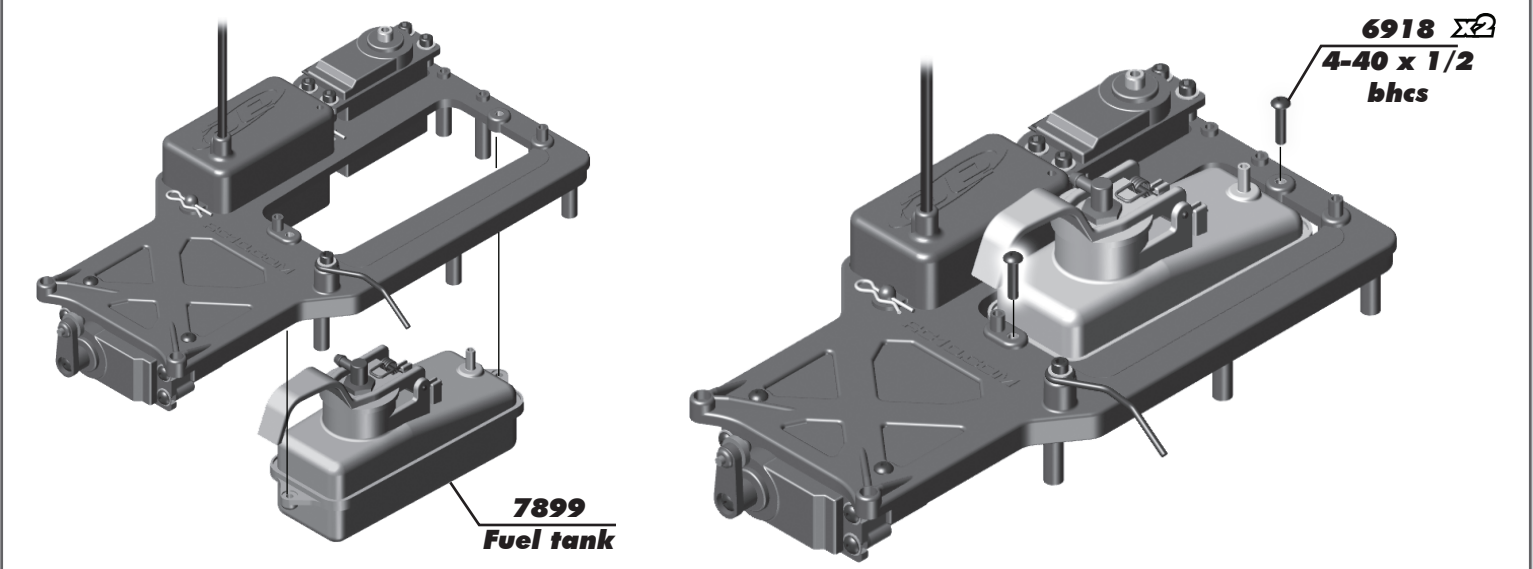
**:: Radio Tray Build (cont.) - Bag D**



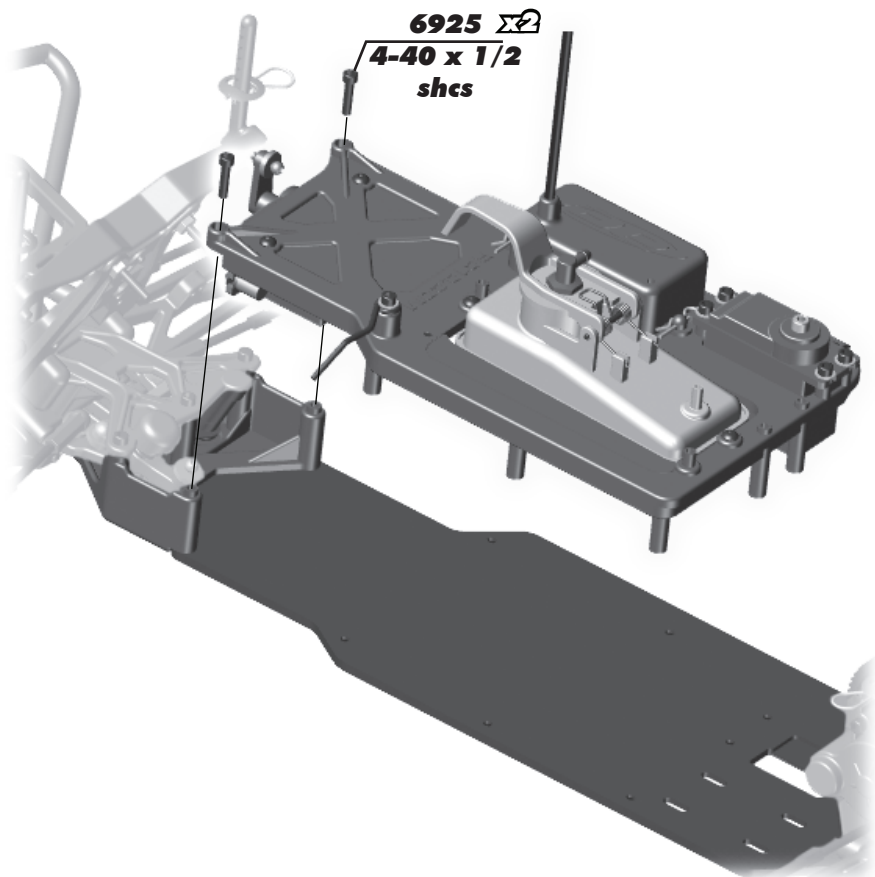
**:: Radio Tray Build (cont.) - Bag D**



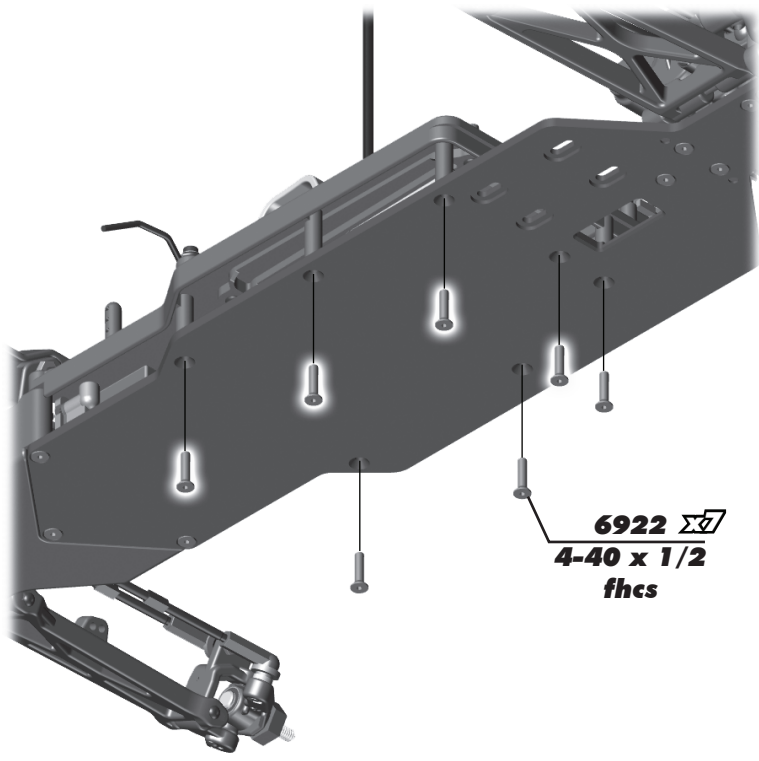
**:: Radio Tray Build (cont.) - Bag D**



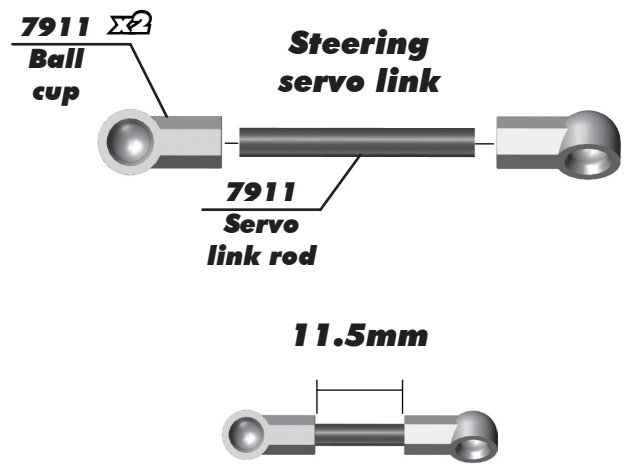
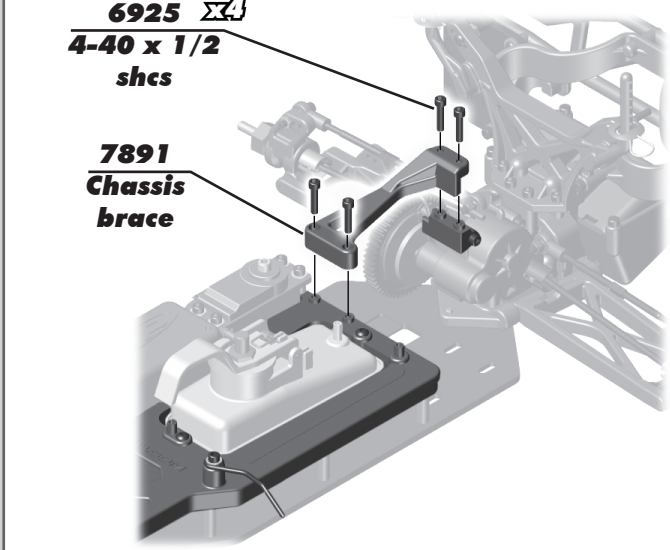
**:: Radio Tray Build (cont.) - Bag D**



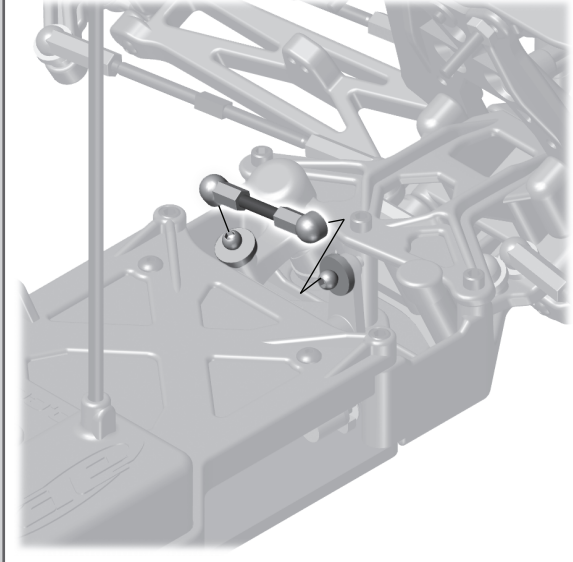
**:: Radio Tray Build (cont.) - Bag D**



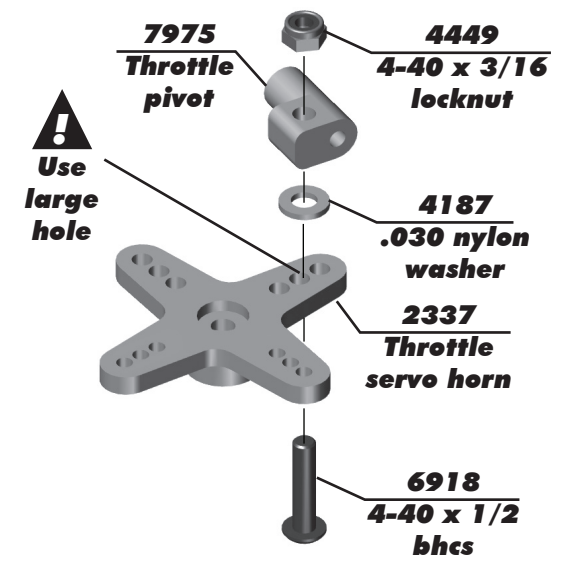
**:: Radio Tray Build (cont.) - Bag D**



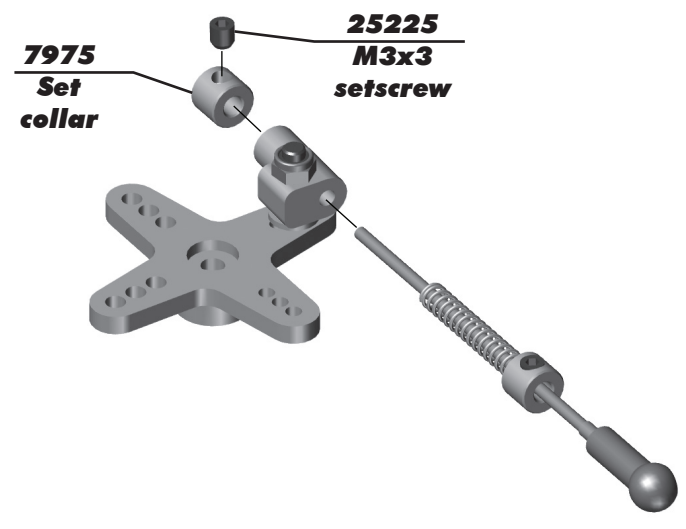
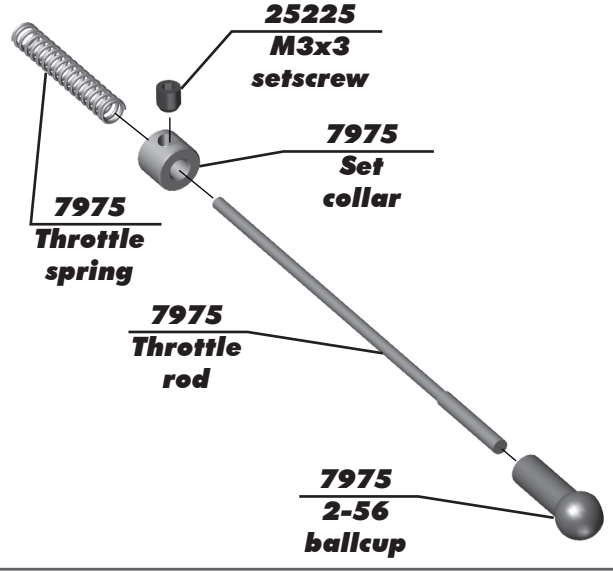
**:: Throttle and Brake Linkage Build - Bag E**



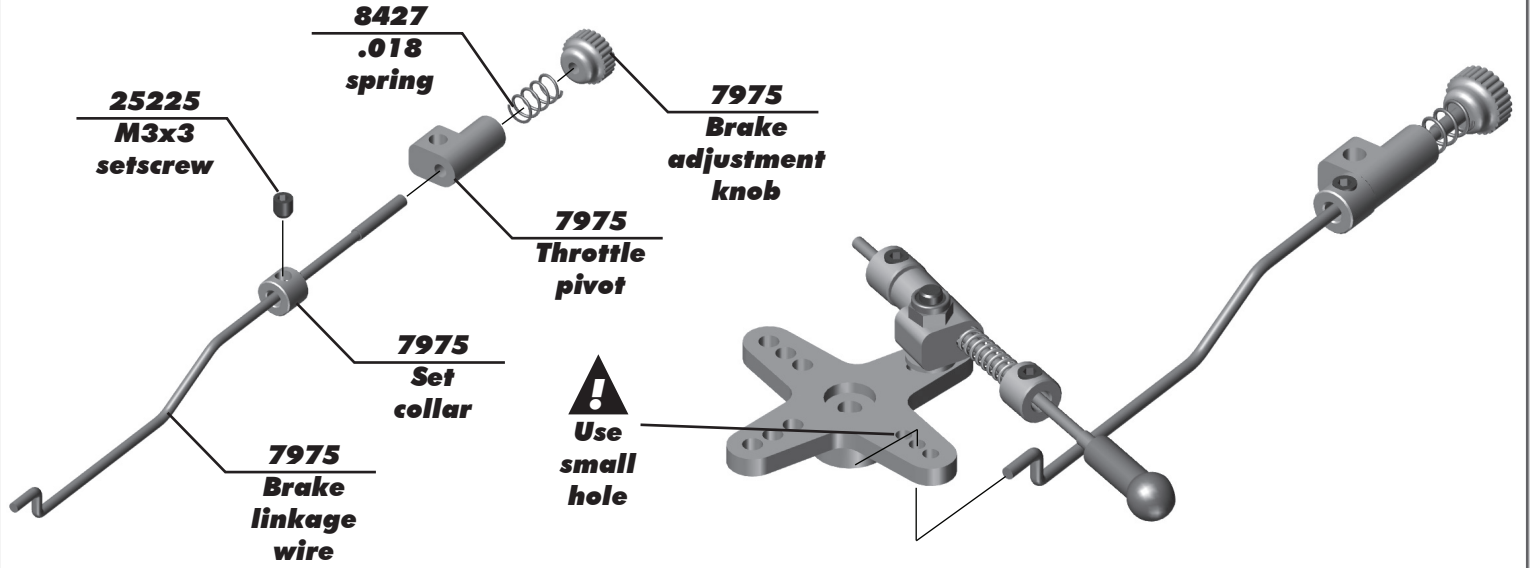
Note: There are two hole sizes in this servo horn. Make sure you use the correct set when building.



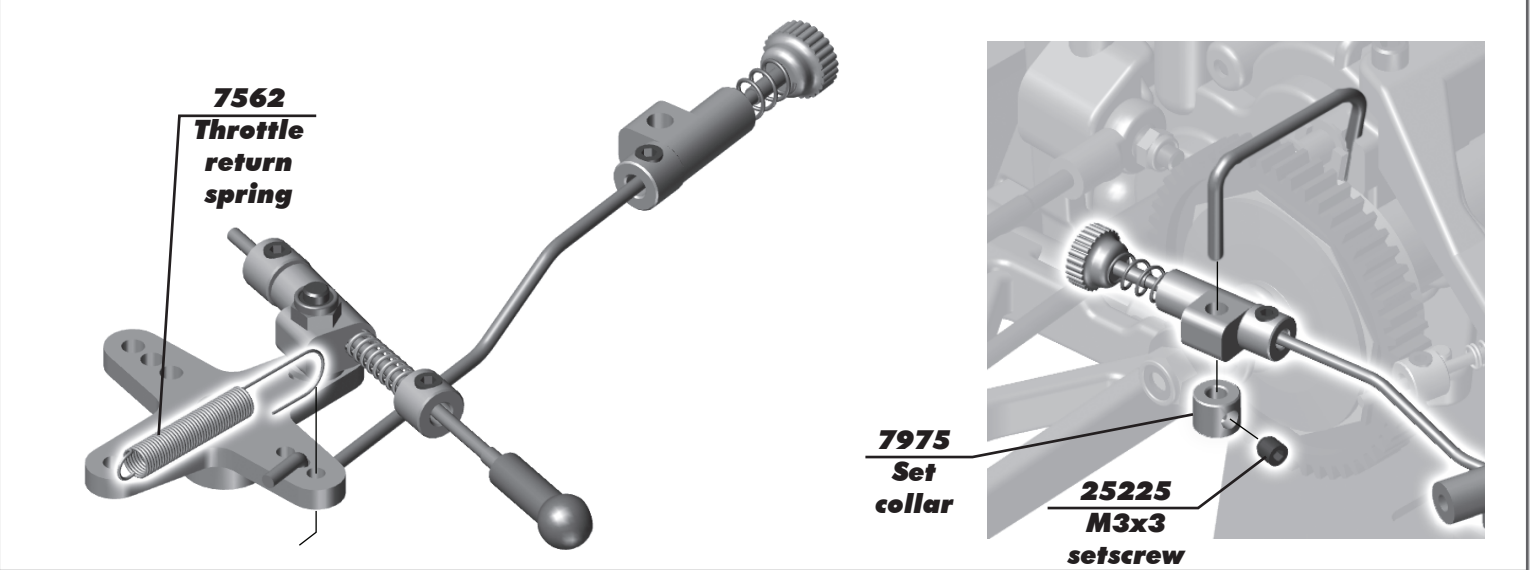
**:: Throttle and Brake Linkage Build (cont.) - Bag E**



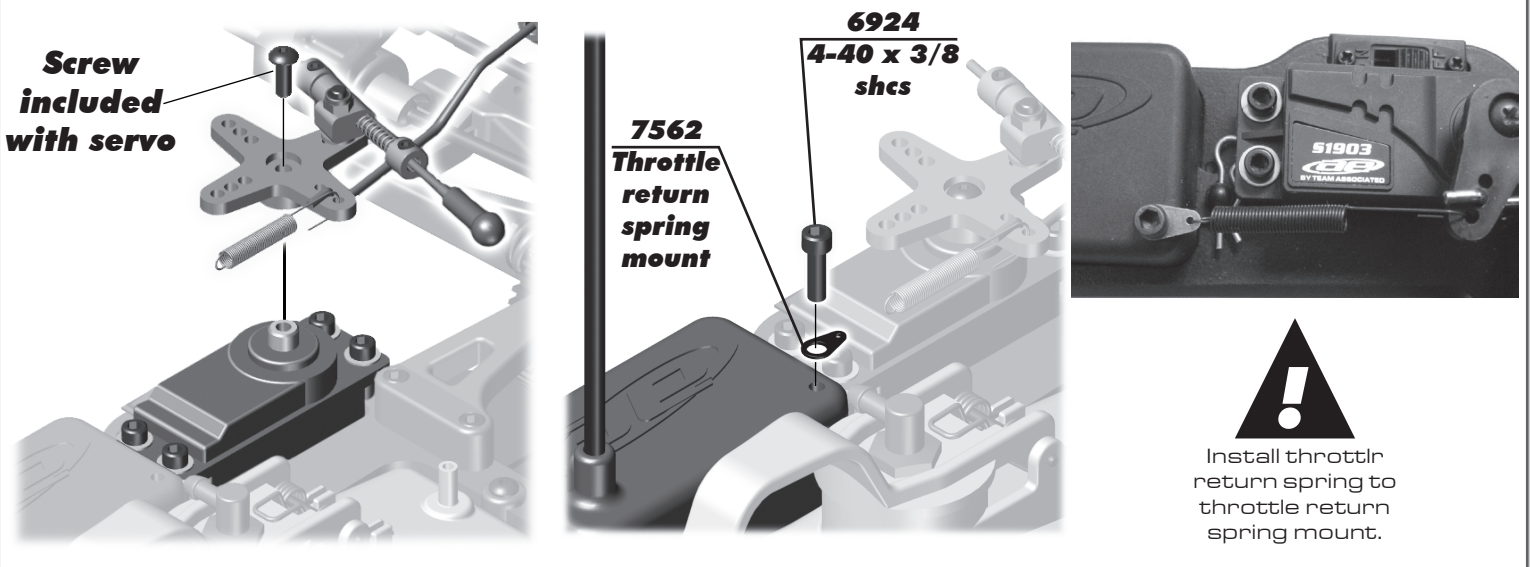
**:: Throttle and Brake Linkage Build (cont.) - Bag E**



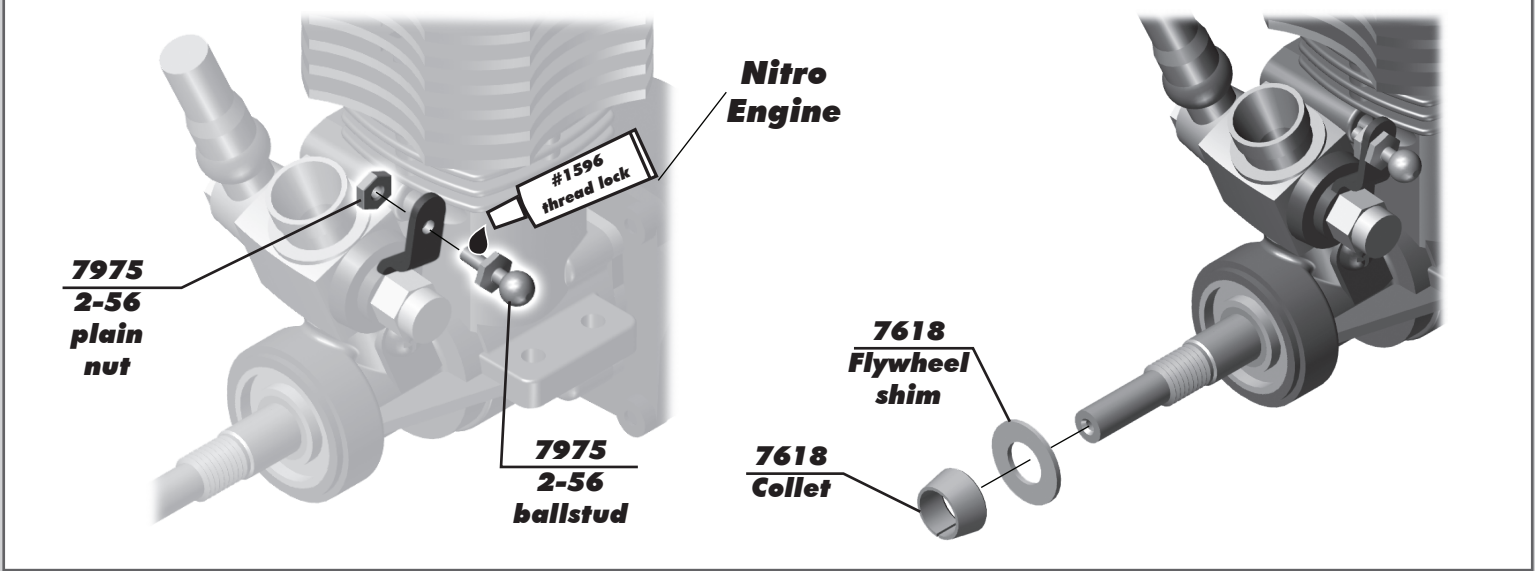
**:: Throttle and Brake Linkage Build (cont.) - Bag E**



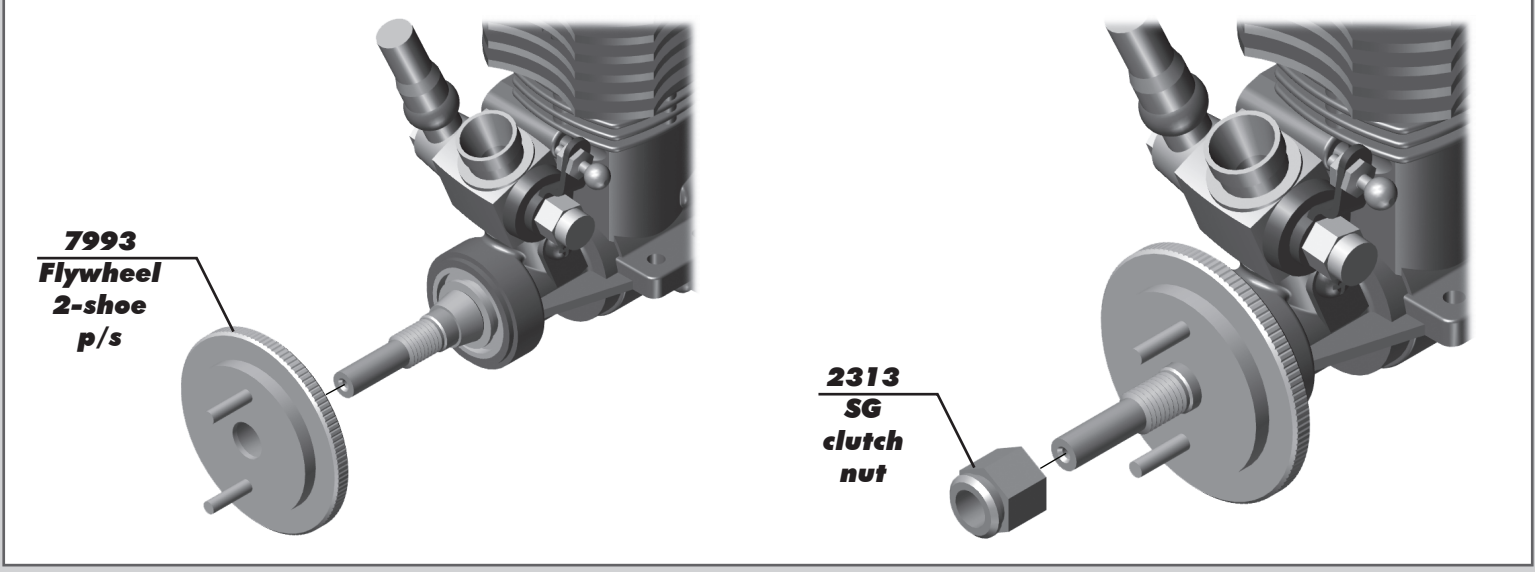
**:: Throttle and Brake Linkage Build (cont.) - Bag E**



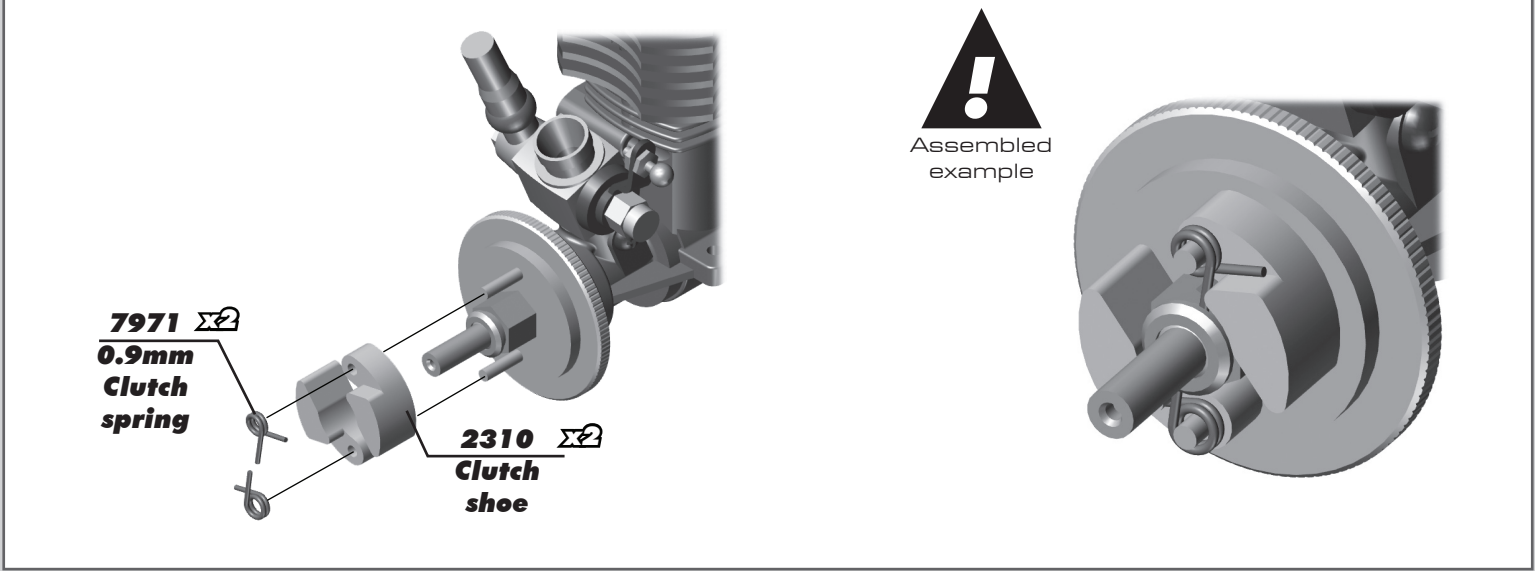
**:: Engine Build - Bag F**



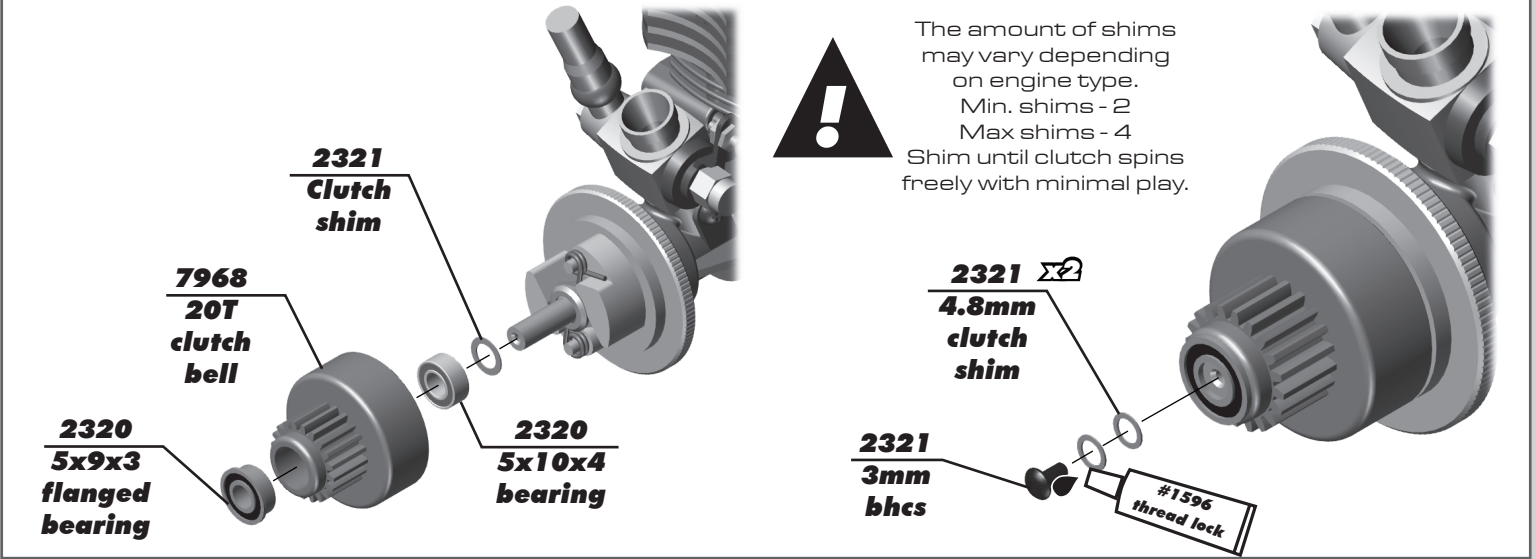
**:: Engine Build (cont.) - Bag F**



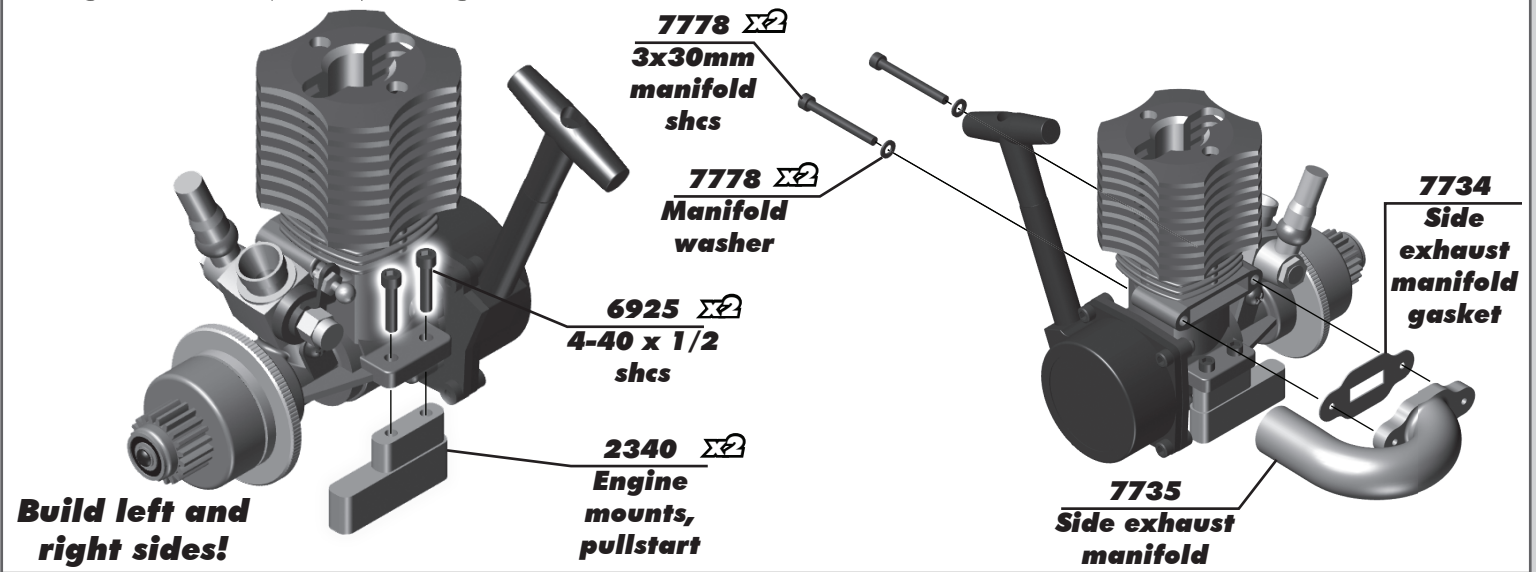
**:: Engine Build (cont.) - Bag F**



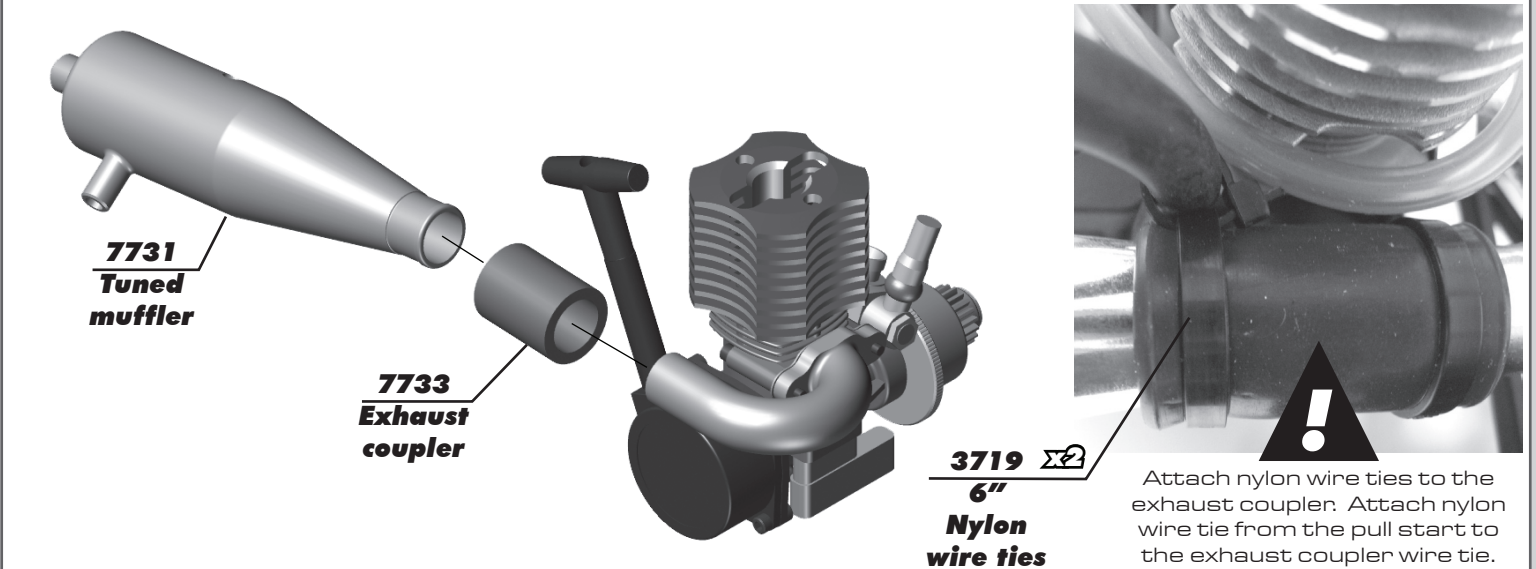
**:: Engine Build (cont.) - Bag F**



**:: Engine Build (cont.) - Bag F**



**:: Engine Build (cont.) - Bag F**

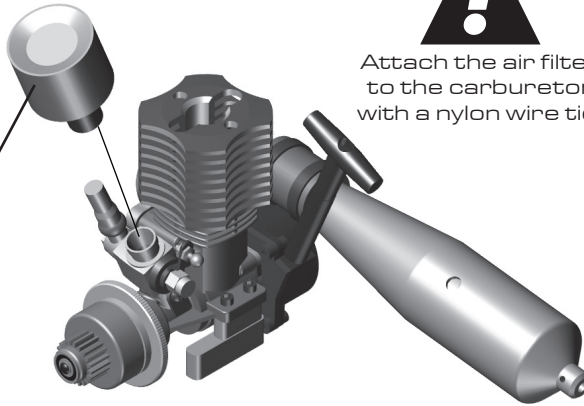


**:: Engine Build (cont.) - Bag F**

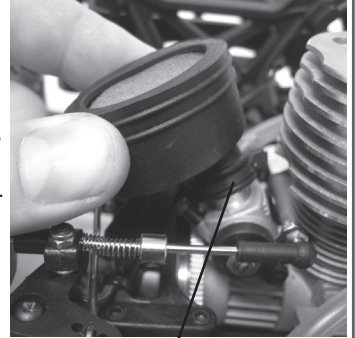


Oil the foam pre-filter element using #7710 Prefilter Treatment.

**7705**  
**Air filter**

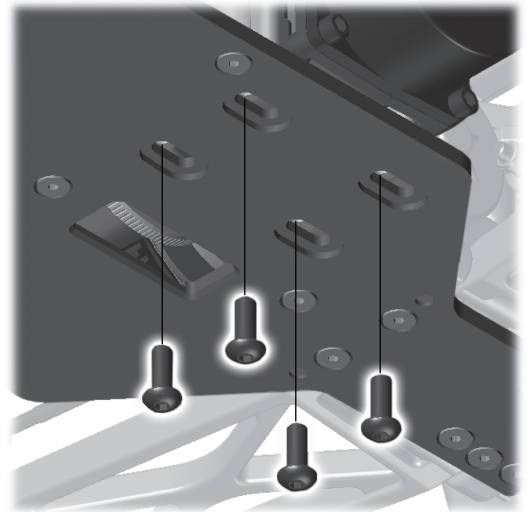
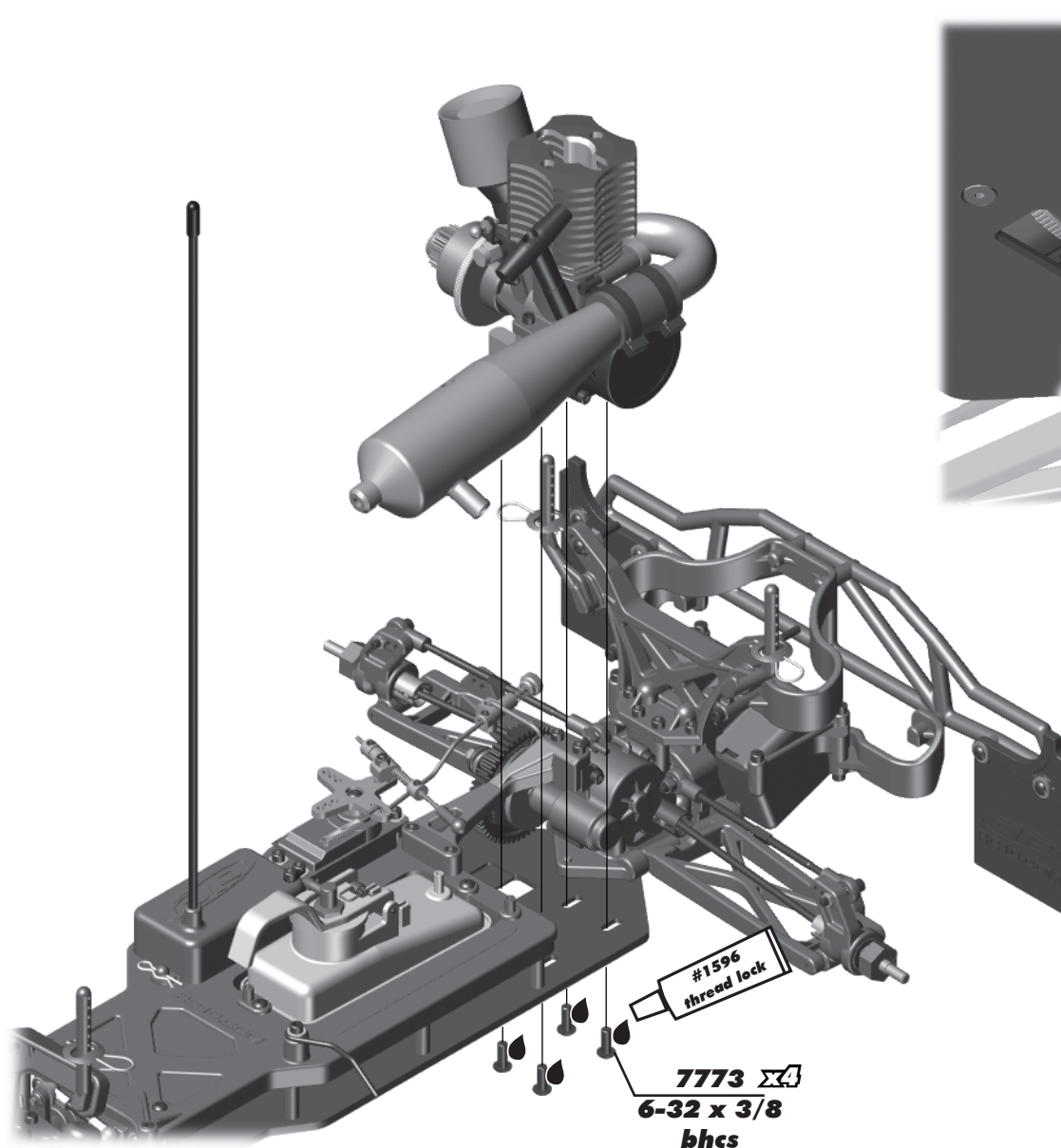


Attach the air filter to the carburetor with a nylon wire tie.



**3719**  
**6"**  
**Nylon wire ties**

**:: Engine Build (cont.) - Bag F**



NOTE: Make sure to set gear mesh (see page 24) before tightening engine mount screws #773.

**#1596**  
**thread lock**

**7773**  $\times 4$   
**6-32 x 3/8**  
**bhcs**

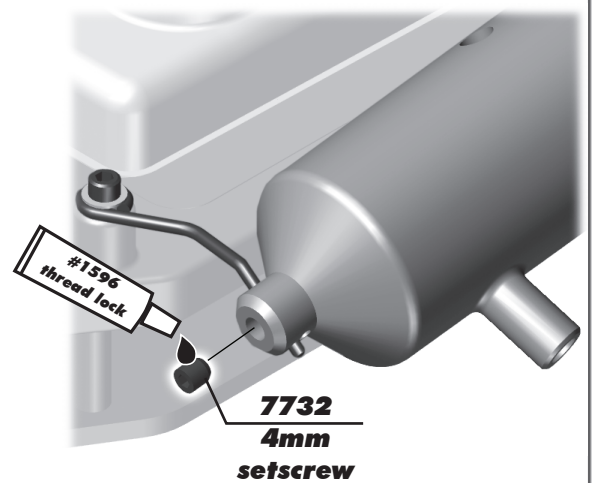
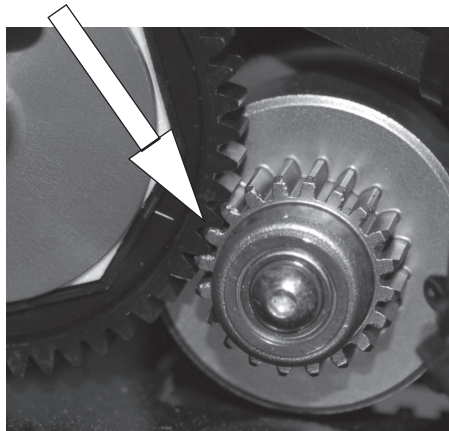
**:: Engine Build (cont.) - Bag F**

To correctly set the gear mesh, follow the steps below:

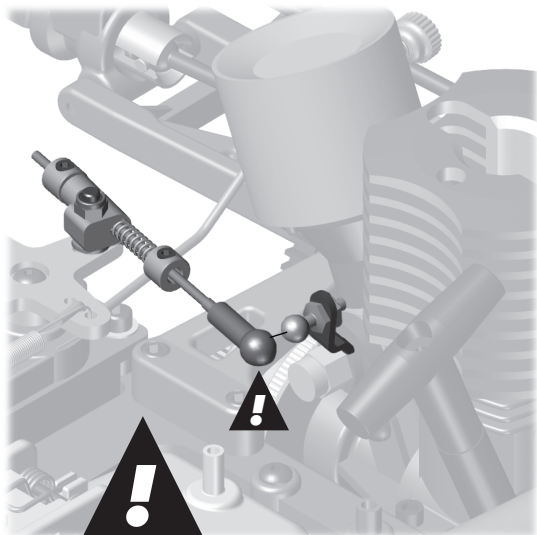
1. Loosen engine mount screws so you can slide your engine and mount.
2. Slide engine and mount until the clutchbell gear comes in contact with the spur gear. Tighten engine mount screws. Hold the spur gear in place and rock the clutchbell gear. There should be little "free-play" between the two gears.

Repeat Step 2 if necessary.

It is important that you have a little gap between the two gears without pushing them completely together.



**:: Engine Build (cont.) - Bag F**



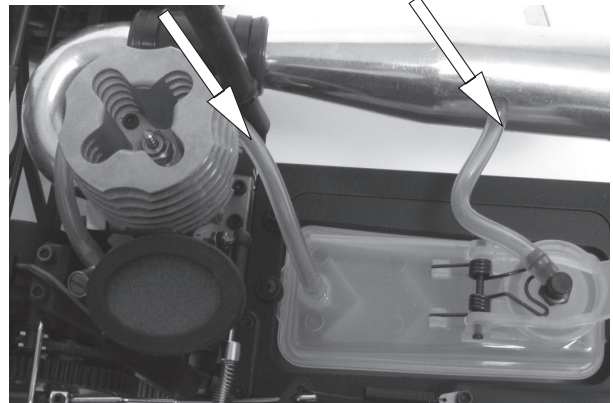
Snap into place.

Attach the included fuel tubing as follows:

- Top of tank lid to exhaust pipe.
- Back of tank lid to carburetor.

**Fuel tubing length = 170mm**

**Pressure line length = 78mm**



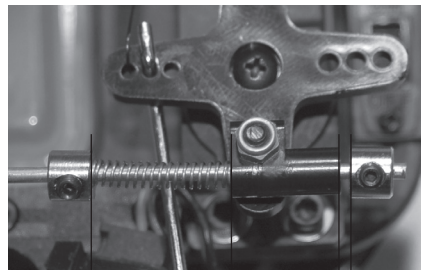
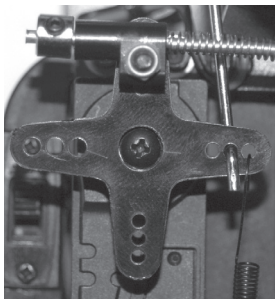
**:: Engine Build (cont.) - Bag F**

To properly set your linkage, follow these steps:

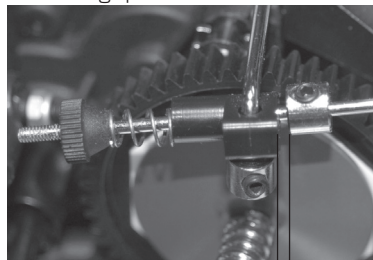
1. Turn on your transmitter, turn on your vehicle (DO NOT START THE ENGINE). Set your throttle trim (or adjust servo horn) until it is 90° with the servo.
2. Set throttle linkage, spring side first, to 15mm. The throttle should be completely closed on the carburetor. Next, set the throttle linkage collar gap to 0.5mm.
3. Set brake linkage, thumbscrew side first. Turn thumbscrew until brake cam barely touches the brake pads and brake disc. Next, set the brake linkage collar gap to 0.5mm.

**Racer's Tip:**

If you need more linkage travel, move the linkage to hole #3 (from #2) on the servo horn.



**15mm 0.5mm**



**0.5mm**



4. Set max throttle EPA. Hold full throttle on transmitter and check carburetor. Adjust EPA so that carburetor is completely open at full throttle.
5. Set max brake EPA. It is easiest to do this while driving the SC 10GT. Start at 50% and adjust accordingly. Lower % = less brake. Higher % = more brake.



**:: Shocks Build - Bag G**

**6469 Shock cap o-ring**

**9884 V2 RTR front shock body 1.02" stroke (blue)**

**7484 Shock internal spacer**

**5407 Red o-ring**

**7484 Lower shock seal cap**

**Front Shock**

**6469 Shock cap o-ring**

**9885 V2 RTR front shock body 1.39" stroke (blue)**

**7484 Shock internal spacer**

**5407 Red o-ring**

**7484 Lower shock seal cap**

**Rear Shock**

**Remove spurs**

**Piston**

**Piston number here**  
Use #3 = front shocks  
Use #1 = rear shocks

**:: Shocks Build (cont.) - Bag G**

**6465 Shock piston #3**

**6459 Shock shaft 1.02" stroke**

**6299 E-clip**

**Front Shock**

**6299 E-clip**

**6465 Shock piston #1**

**6458 Shock shaft 1.32" stroke**

**Rear Shock**

**6299 E-clip**

**:: Shocks Build (cont.) - Bag G**

**6466  $\Sigma 5$  Downstop 1/32"**

**7217 Eyelet**

**7217 Pivot ball**

**Front Shock**

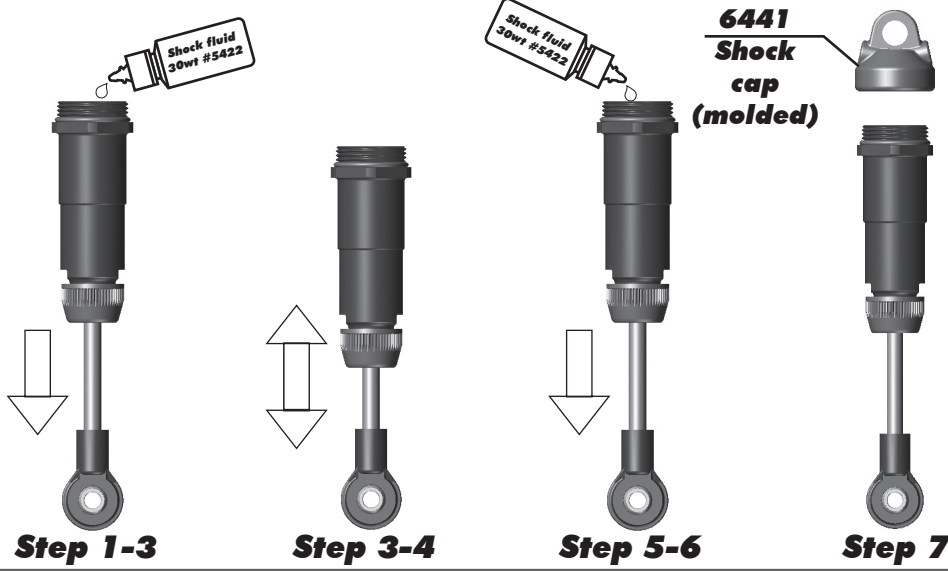
**6466  $\Sigma 2$  Downstop 1/32"**

**7217 Eyelet**

**7217 Pivot ball**

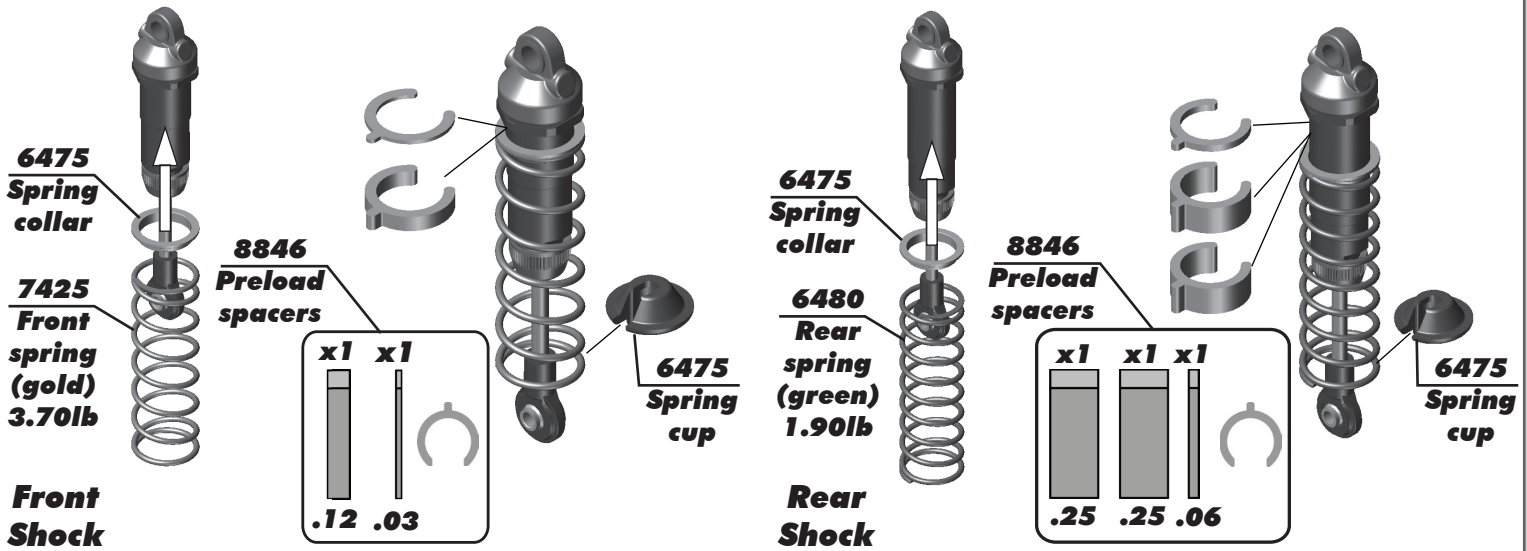
**Rear Shock**

**:: Shocks Build (cont.) - Bag G**

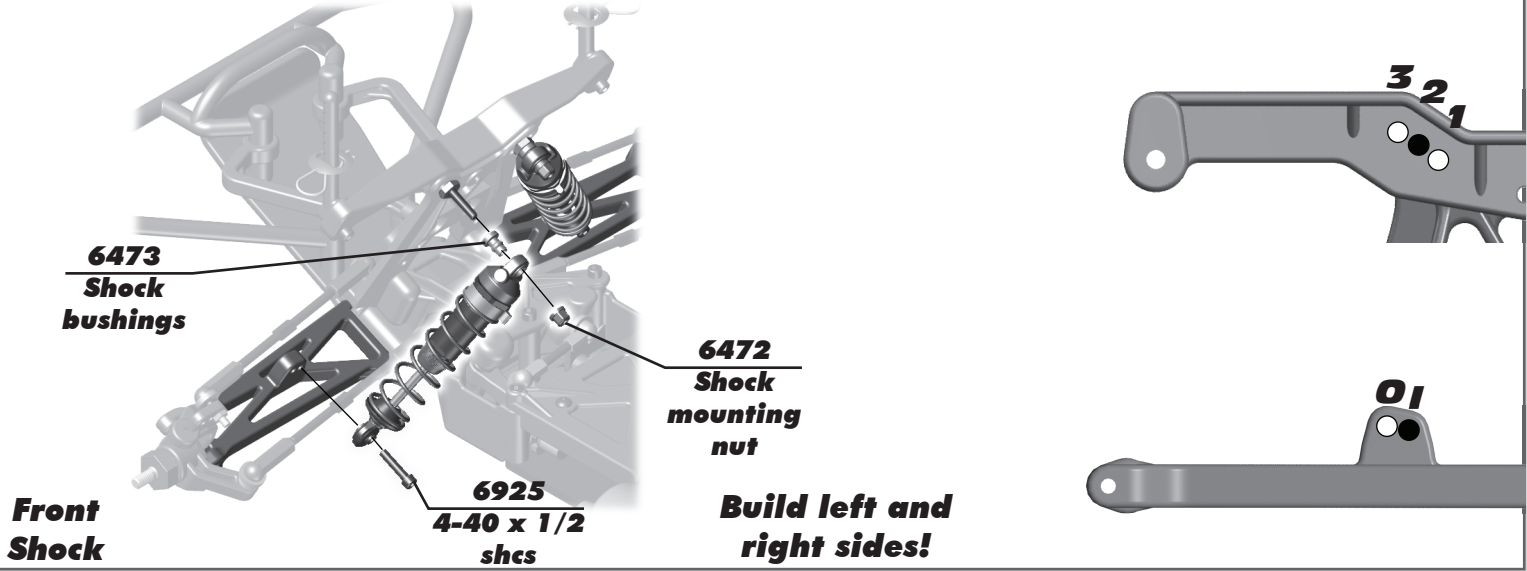


- \* Shock Bleeding Steps:
1. Pull shock shaft down.
  2. Fill shock body 3/4 full with silicone fluid.
  3. Slowly move the shock shaft up and down to remove air from under piston.
  4. Wait for bubbles to come to surface.
  5. Fill shock body to top with silicone fluid.
  6. Place several drops of oil in the cap and on cap threads.
  7. Install cap and tighten completely.
  8. Slowly compress shaft all the way to the top. If there is pressure at the top of the stroke, there is too much oil or air. You must bleed it out.
  9. Slowly pull shaft down.
  10. Unscrew the cap 3/4 turn and tilt the shock at a slight angle.
  11. Slowly compress the shaft to push out excess oil and air. You should see bubbles coming out from under the cap.
  12. With the shaft compressed, tighten the cap and re-check for pressure at the top of the stroke. If there is still pressure, repeat steps 9 thru 11.

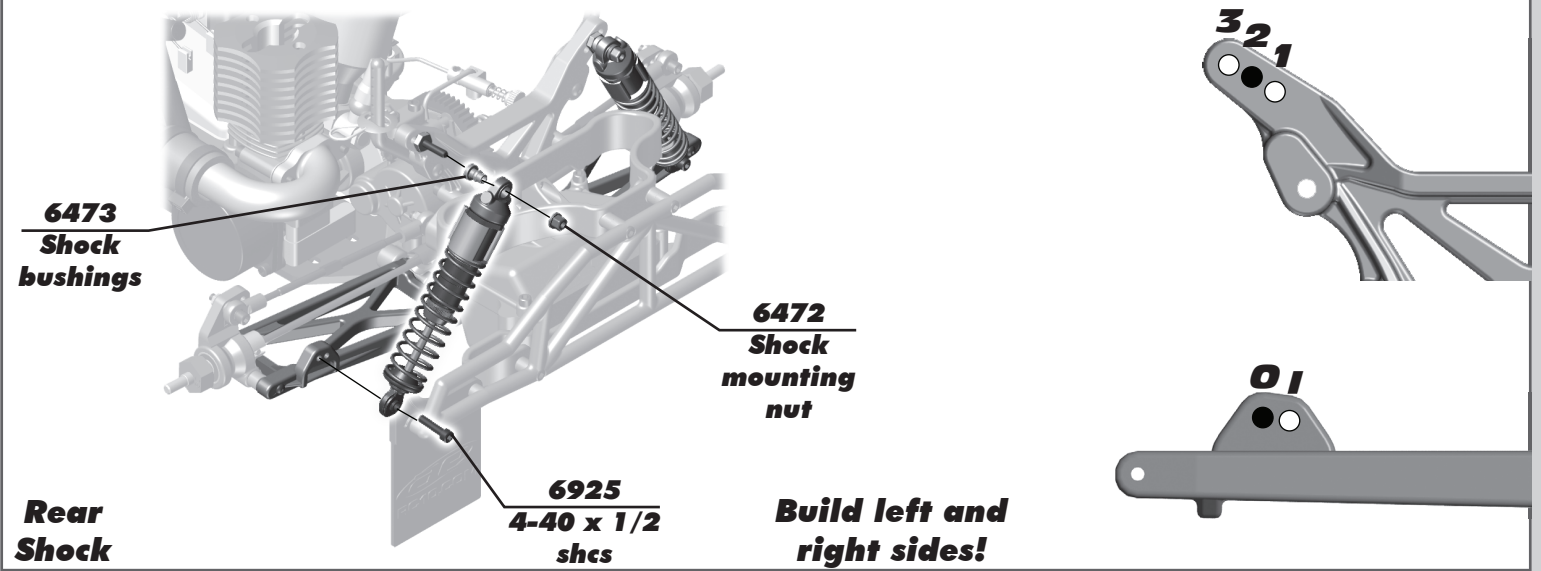
**:: Shocks Build (cont.) - Bag G**



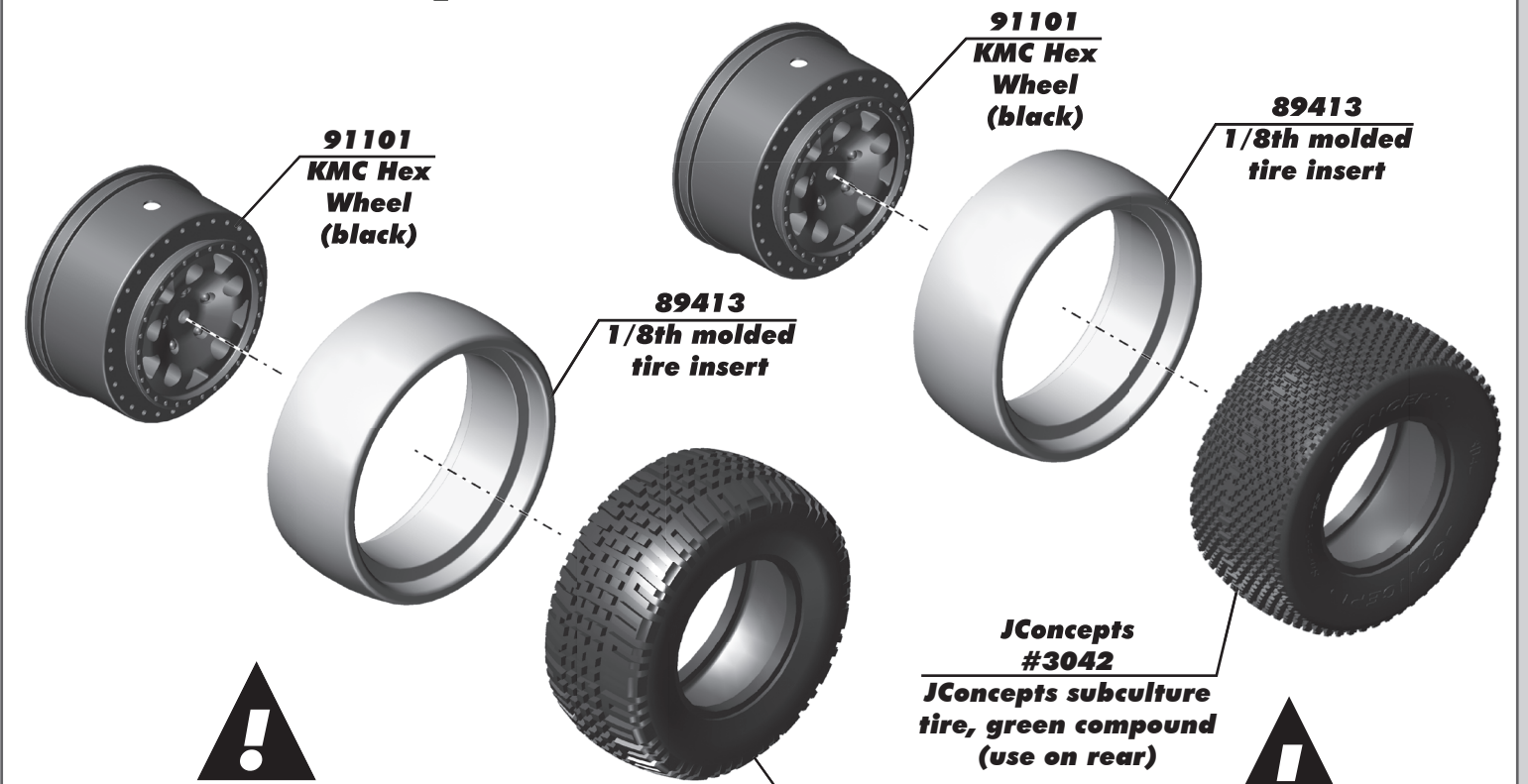
**:: Shocks Build (cont.) - Bag G**



**:: Shocks Build (cont.) - Bag G**



**:: Wheel and Tire Assembly**



**!**

Note: Clean the rims and tire bead where the two will mount to each other before you glue them together. You can clean them with either rubbing alcohol, or r/c electric motor spray.

Place the foam insert inside the tire. Install the tire on the rim, and push the tire beads inside the grooves on the rim.

Use Tire glue # 1597 to glue the tire to the wheel. Glue one side at a time, allowing enough time for the glue to dry before continuing to the other side. Tip: You can use a rubber band to hold the tire tight against the wheel while the glue is drying.

**!**

**9809 SC10 Tire w/foam insert**

**Build 2 Front!**

**!**

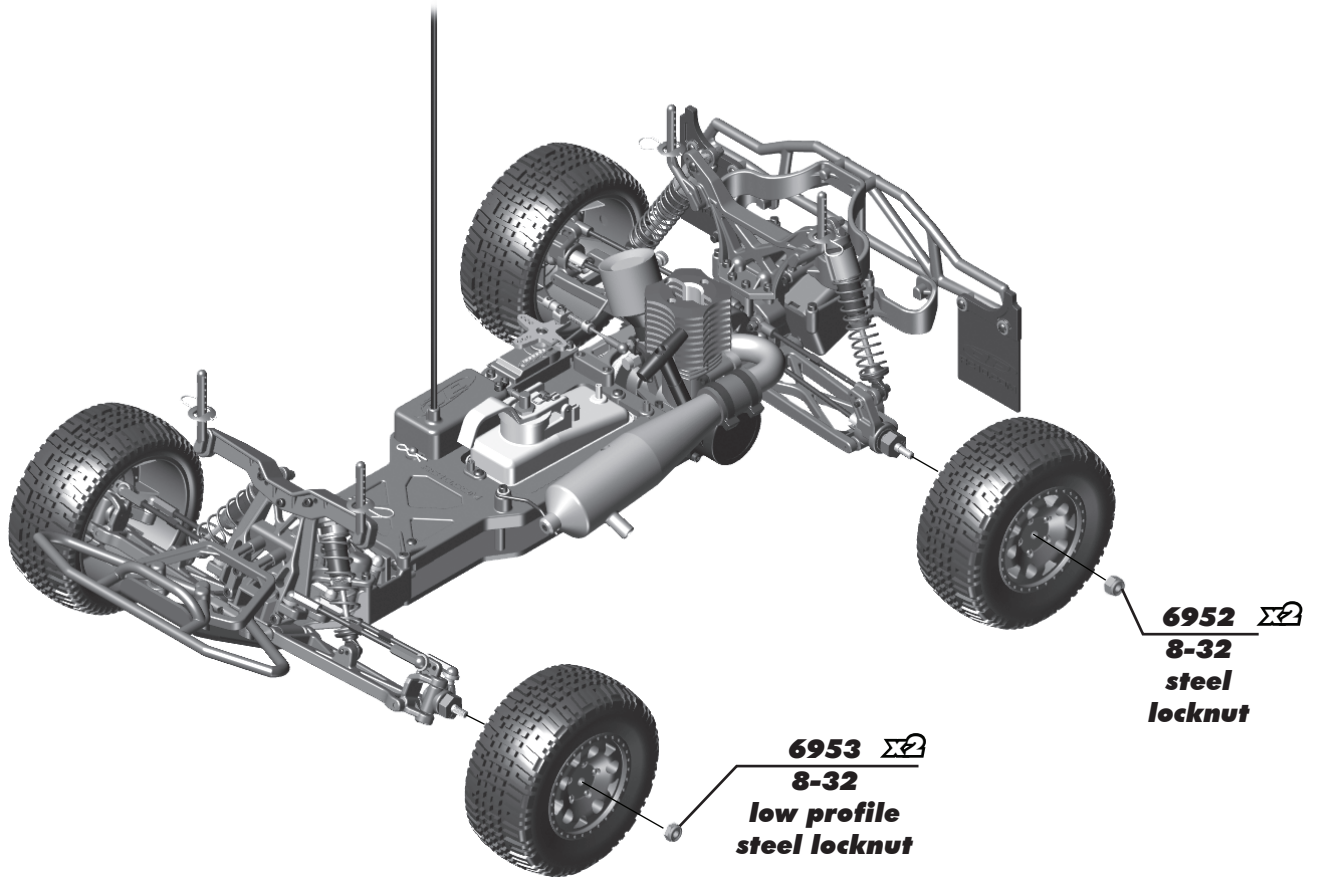
**Tire glue is not included!**

**!**

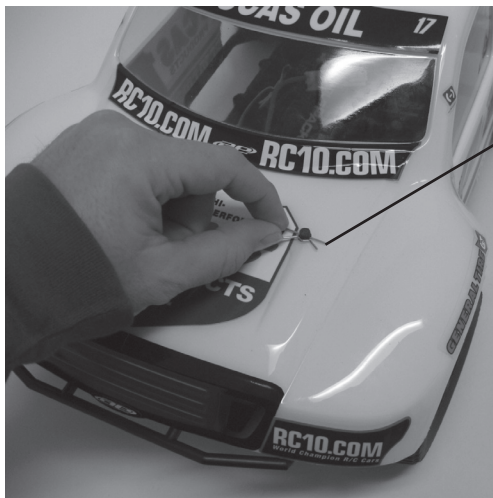
**Build 2 Rear!**

The rear tires included in this RTR are made by JConcepts. JConcepts tires can be purchased at their website: <http://www.jconcepts.net>

**:: Wheel and Tire Assembly (cont.)**



**:: Body Install**



**6332 X4**  
**Body clip**



## :: Tuning Tips

### Tips for Beginners:

Before making any changes to the standard setup, make sure you can get around the track without crashing. Changes to your vehicle will not be beneficial if you can't stay on the track. Your goal is consistent laps.

Once you can get around the track consistently, start tuning your vehicle. Make only ONE adjustment at a time, testing it before making another change. If the result of your adjustment is a faster lap, mark the change on the included setup sheet (make additional copies of the sheet before writing on it). If your adjustment results in a slower lap, revert back to the previous setup and try another change.

When you are satisfied with your vehicle, fill in the setup sheet thoroughly and file it away. Use this as a guide for future track days or conditions.

### Recommended Gearing:

To calculate your SC10GT Final Drive Ratio (a.k.a. gear ratio), use the following formula:  
 $(\text{spur gear \# teeth}) / (\text{clutch bell \# teeth}) \times 4.09 = \text{Final Drive Ratio}$

For higher top speeds, use either a larger tooth clutch bell or a smaller tooth spur gear.  
 For more torque and acceleration use a smaller tooth clutch bell or larger tooth spur gear.

### SC10GT gear chart

Clutch Bell	Spur Gear		
	54	55	56
19	11.62	11.84	12.05
20	11.04	11.25	11.45
21	10.51	10.71	10.91

### Slipper Clutch:

The instructions provide a base setting for the slipper clutch, but depending on the surface you are running on, it may be adjusted for better performance. The intent of the slipper clutch is to absorb shocks to the drivetrain and to improve power delivery to the wheels. If the car is doing wheelies too easily on a high grip surface, try loosening the slipper.

In cases of excessive wheel spin on a low grip surface, try loosening the slipper for smoother acceleration. The slipper settings will vary depending on tire grip and driving surface. Adjust the slipper in 1/8 turn increments when tuning.

### Clutch Springs:

The clutch spring stiffness determines at what RPM the engine begins to engage the clutch bell. The kit comes with a 0.9mm clutch spring (#7971), this provides the smoothest power delivery. For more aggressive power delivery, try the 1.0mm clutch spring (#2306) and for most aggressive engagement try the 1.1mm clutch spring (#2307).

### Caster:

The kit/ RTR comes with 30 degree caster blocks (#7922). For less aggressive steering try the optional 25 degree caster blocks (#7919).

### Front Camber Links and Vertical Adjustment:

Changing the length of the camber link is considered a bigger change than adjusting the ballstud height on the shock tower. Shortening the camber link (or lowering the ball end) will give the front end less roll and quicken steering response, especially on corner entry. Lengthening the camber link (or raising the ball end) will give the front more roll and slower steering response, but can produce more corner exit steering. Longer camber links are typically used on high grip tracks and shorter links tend to work better on medium grip and loose tracks.

### Rear Camber Links and Vertical Adjustment:

Changing the length of the camber link is considered a bigger step than adjusting the ball end height on the shock tower. The rear camber link length is adjusted on the hub and the inboard height is adjusted on the rear camber link mount. The rear camber link mount can be shimmed up or down, and you can change the vertical hole location. From the kit setting, lowering the inner pivot will slide more predictably and give you more entry steering, but not have as much cornering grip.

### Front Toe-In:

Zero degrees toe-in (tires pointing straight forward) is the setting that should be used in almost all track conditions. Occasionally, adding a little bit of toe-out (tires pointing slightly out) can increase initial turn in response. A slight amount of toe-in will increase front end stability a little, and results in less aggressive steering but this option is rarely used.

### Front Camber:

Camber is the angle of the wheel when looked at from the front. The angle is measured from a line perpendicular to the ground to the face of the wheel. Camber is used to ensure a wider tire contact patch while cornering. A good starting point for the front is -1°. Performance will begin to decrease after -3°. Positive camber, where the top of the tire is leaning out, is not recommended in the front. To set your camber use the included #1719 camber gauge.

## :: Tuning Tips (cont.)

### Rear Camber:

A good starting point for the rear camber setting is  $-1^\circ$ . In loose track conditions, going to  $0^\circ$  camber can improve straight-line acceleration.

### Rear Hub Spacing:

There are three options for rear hub spacing, FORWARD, MIDDLE, & BACK. The kit setting provides the best possible rear traction. The FORWARD position will provide more rear traction for low grip tracks. The BACK position will provide more steering on high grip tracks.

### Ride Height:

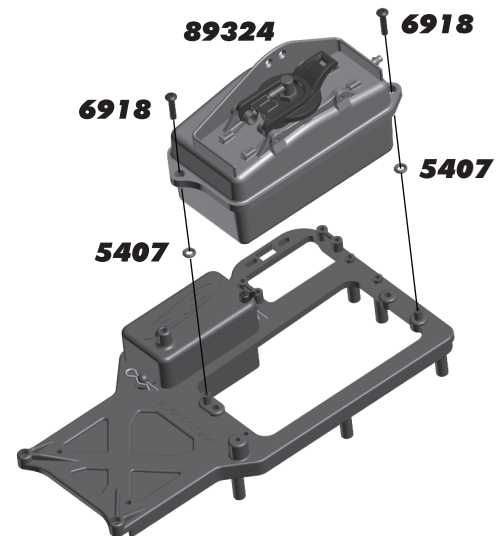
Ride height is the distance from the ground to the bottom of the chassis. The standard front ride height setting is with the front arms level [referred to as "arms level"]. The standard rear ride height setting is when the outdrive, driveshaft, and axles all are on the same imaginary horizontal line [referred to as "bones level"]. Check the ride height by lifting the car about 8-12 inches off a table and drop it level. After the suspension "settles" into place, add or remove pre-load clips on the shock bodies so that the left and right arms appear to be parallel. For precise ride height measurements, use the Factory Team ride height gauge # 1449.

### Anti-Squat:

Anti-squat denotes the angle of the rear arms relative to the ground. The kit setting is 2 degrees, and can be adjust to 1 degree by removing the included shim above the rear arm mount and replacing it below the rear arm mount. Changing to less anti-squat tends to make the truck produce more rear traction and less steering in the corners.

### Optional Large Fuel Tank:

The SC10GT has a unique radio tray that allows you to install a larger fuel tank [# 89324] for longer run times. Simply removing the radio tray insert, and install the optional fuel tank (not included) over the molded posts on the radio tray with red O-rings [#5407] for vibration dampening.



### Shock Piston and Fluid:

The SC10GT shocks are built with our 2 hole, #1 pistons in the front shocks, and #3 pistons in the rear shocks. All pistons have a number molded on it.

As a rule of thumb, larger hole pistons decrease damping which can help the truck in bumpy and low-grip situations. On smoother tracks, or for large jumps, you may want use a smaller hole piston which will increase damping and take away some grip. [#1 large hole, #2 medium hole, #3 small hole]

Typically, your SC10GT shocks will work best with shock fluid rates between 25 and 35 wt (275 - 425 CST). Use the thicker fluids in the range when changing to larger hole pistons, and also use the thinner weight fluids when changing to a smaller hole pistons.

### Setup Sheets:

Most often, the best way to get your car handling right is to go to our website [www.rc10.com](http://www.rc10.com) and click on the links to Setup Sheets, then SC10GT setups. Our team of professional drivers help develop these setups at National events. Also, most drivers have a "base" setup that they use as a starting point for every event. Try running some of our base setups OR look for track conditions and tires that are similar to your local track and mimic that setup.

Remember, each adjustment has a purpose, so copy everything from the setup sheet and then make adjustments based on the recommendations in here and in our online tuning guide.

**:: Shocks**

5407	Red O-Rings	8
6299	1/8" E-Clips	12
6441	Shock Cap, Molded	4
6458	Shock Shaft, 1.32" stroke	1
6459	Shock Shaft, 1.02" stroke	1
6465	Shock Pistons, 4 each	1
6466	Shock Down Stops, Set	1
6469	Black Shock Cap O-Ring	4
6473	Shock Bushings	4
6475	Preload Spacers, Collars & Cups 4 thicknesses, 4 sets each	1
6925	4-40 x 1/2" SHCS	6
7217	Shock Rod Ends / Plastic Pivot Balls	2
7484	V2 1/10 Shocks Rebuild Kit	1
8846	Preload Spacers, 4 each	1
9884	V2 RTR Front Shock Bodies 1.02"	Pr.
9885	V2 RTR Rear Shock Bodies 1.39"	Pr.



**:: Springs**

1580	FT Truck Front Spring Kit. 1 pair of green, 1 silver, blue, gold, and red front springs	1
1582	FT Truck Front Spring Kit. 1 pair of green, 1 silver, blue, gold, and red rear springs	1
6478	Rear Spring Silver 2.10 lb	Pr.
6480	Rear Spring Green 1.90 lb (Kit)	Pr.
6481	Rear Spring Black 1.74 lb	Pr.
6482	Rear Spring Gray 2.33 lb	Pr.
7425	Front Spring Gold 3.70 lb (Kit)	Pr.
7426	Front Spring Black 2.765 lb	Pr.
7427	Front Spring Green 2.99 lb	Pr.
7428	Front Spring Silver 3.225 lb	Pr.
7429	Front Spring Blue 3.45 lb	Pr.
7430	Front Spring Red 3.90 lb	Pr.
7434	Rear Spring Blue 2.55 lb	Pr.
7435	Rear Spring Gold 2.75 lb	Pr.
7436	Rear Spring Red 2.95 lb	Pr.



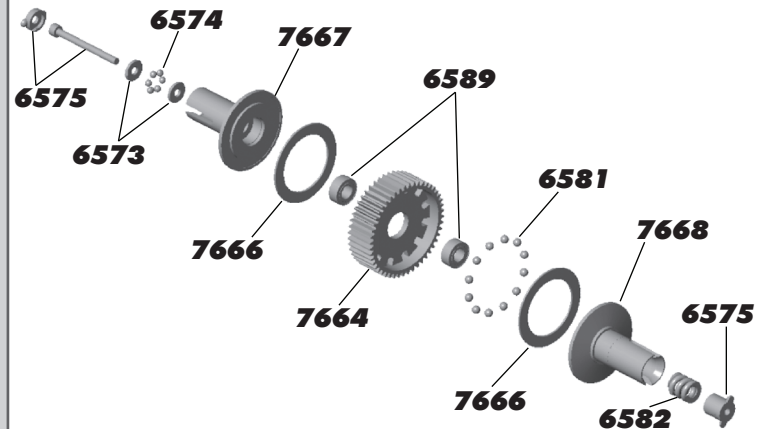
**:: Shock Fluid**

5420	10 Weight Silicone Shock Fluid	2oz.
5421	20 Weight Silicone Shock Fluid	2oz.
5422	30 Weight Silicone Shock Fluid	2oz.
5423	40 Weight Silicone Shock Fluid	2oz.
5424	22.5 Weight Silicone Shock Fluid	2oz.
5425	80 Weight Silicone Shock Fluid	2oz.
5426	27.5 Weight Silicone Shock Fluid	2oz.
5427	15 Weight Silicone Shock Fluid	2oz.
5428	25 Weight Silicone Shock Fluid	2oz.
5429	35 Weight Silicone Shock Fluid	2oz.
5430	45 Weight Silicone Shock Fluid	2oz.
5431	55 Weight Silicone Shock Fluid	2oz.
5432	32.5 Weight Silicone Shock Fluid	2oz.
5433	37.5 Weight Silicone Shock Fluid	2oz.
5434	42.5 Weight Silicone Shock Fluid	2oz.
5435	50 Weight Silicone Shock Fluid	2oz.
5436	60 Weight Silicone Shock Fluid	2oz.
5437	70 Weight Silicone Shock Fluid	2oz.
5438	47.5 Weight Silicone Shock Fluid	2oz.



**:: Ball Differential**

6573	Diff Thrust Washer & Bolt	2
6574	Precision Diff Thrust Balls, 5/64"	6
6575	Locking T-Nut, Diff Thrust Bolt, & Cover	1
6581	3/32" Carbide Diff Balls	12
6582	Diff Thrust Spring	1
6589	Ball Bearing, 5/32 x 5/16" unflanged	2
7664	Diff Gear 52T	1
7666	Diff Drive Rings, 2.60:1	2
7667	Diff Outdrive Hub, Right, 2.60:1	1
7668	Diff Outdrive Hub, Left, 2.60:1	1
7677	Offroad Diff Rebuild Kit	1
7678	Offroad Diff Kit	1



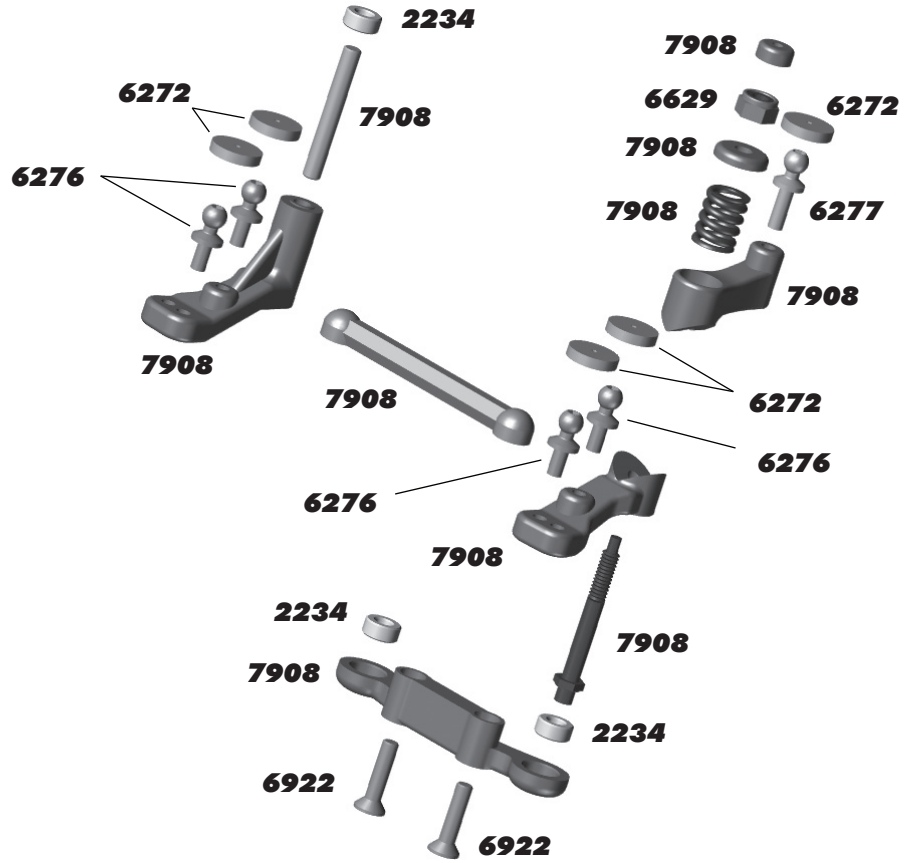
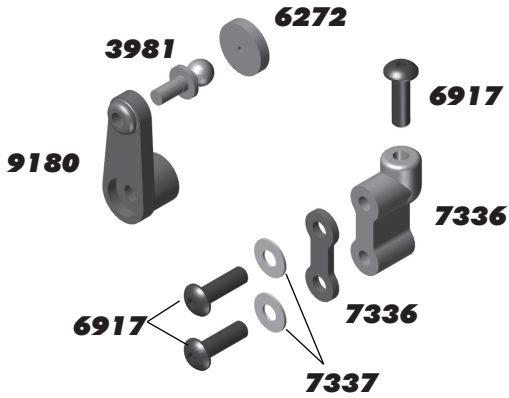
**:: Lubes & Adhesives / Decals / Misc.**

1105	FT Green Slime Shock Lube	1
1596	FT Locking Adhesive	1
1597	FT Tire Adhesive, medium	1
5450	Silicone Diff Fluid 1000cst	1
5451	Silicone Diff Fluid 2000cst	1
5452	Silicone Diff Fluid 3000cst	1
5453	Silicone Diff Fluid 5000cst	1
5454	Silicone Diff Fluid 7000cst	1
5455	Silicone Diff Fluid 10000cst	1
5456	Silicone Diff Fluid 20000cst	1
5457	Silicone Diff Fluid 30000cst	1
5458	Silicone Diff Fluid 60000cst	1
5459	Silicone Diff Fluid 100000cst	1
6588	Black Grease - 4cc	1
6591	S.Diff Lube - 4cc	1
6636	Silicone Grease - 4cc	1
6727	Servo Tape	2
7710	FT Filter Treatment	1
716	Reedy 2009 Sticker Set	1
717	Reedy Powered Logo Decal	1
3816	American Bumper Sticker	1
3820	AE Logo Decal Sheet	1
3834	AE Blue Embossed Logo Sticker	2
7109	SC10GT Decal Sheet	1



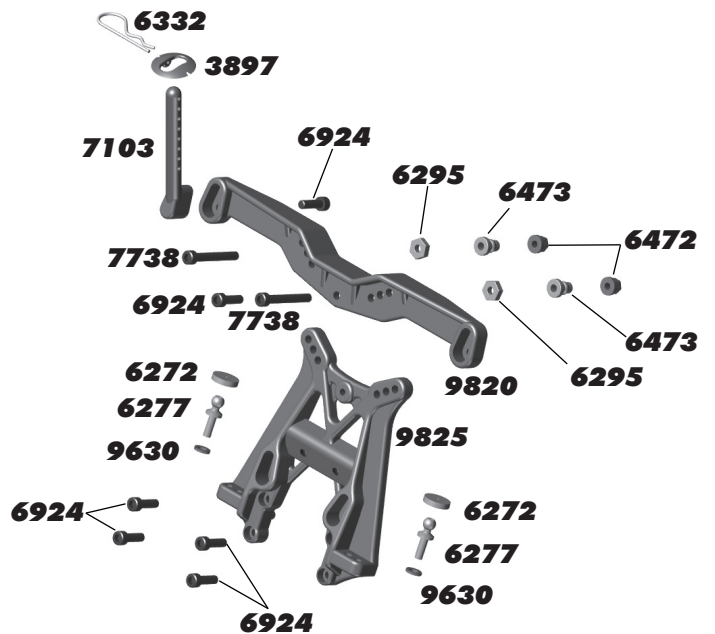
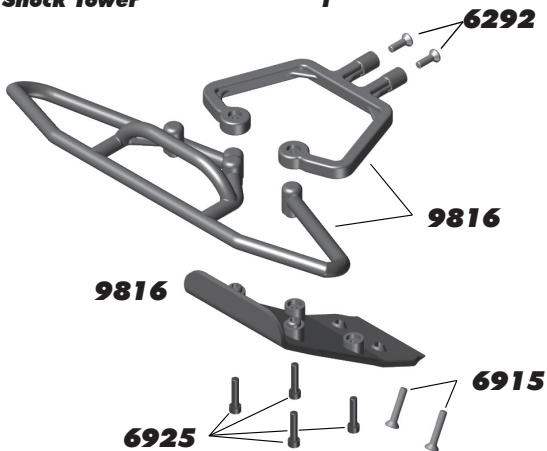
**:: Steering**

2234	Swing Rack Bushing	1
3981	Ballstud .20" Black, short	6
6272	Foam Ballend Dust Covers	28
6276	Ballstud .20" Silver, short	6
6277	Ballstud .30" Silver, short	6
6629	5-40 Locknuts	6
6917	4-40 x 3/8 BHCS	6
6922	4-40 x 1/2 FHCS	6
7336	Steering Servo Mount Kit	1
7337	.250 x .125 x .015 Washer	4
7908	Servo Saver & Steering Kit	1
9180	Servo Horns, Set	1



**:: Front Bumper, Front Shock Tower**

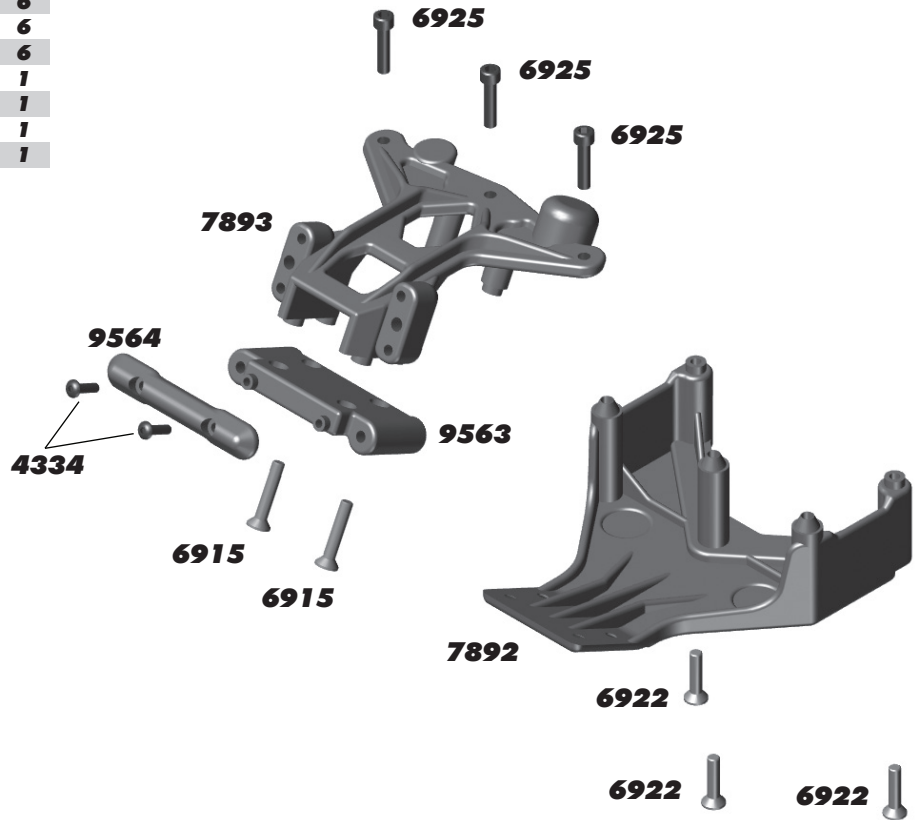
3897	Pivoting Body Mounts	4
6272	Foam Ballend Dust Covers	28
6277	Ballstud .30" Silver, short	6
6292	4-40 x 3/8 FHCS	6
6295	4-40 Nuts	6ea.
6332	Body Clips	6
6472	Shock Mount Nuts	4
6473	Shock Bushings	4
6915	4-40 x 5/8 FHCS	6
6924	4-40 x 3/8 SHCS	6
6925	4-40 x 1/2 SHCS	6
7103	SC10 GT Body Posts, Set	1
7738	4-40 x 7/8 SHCS	6
9630	Ballstud Washer	10
9816	SC10 Front Skid, Bumper	1
9820	SC10 Body Mounts	1
9825	Front Shock Tower	1





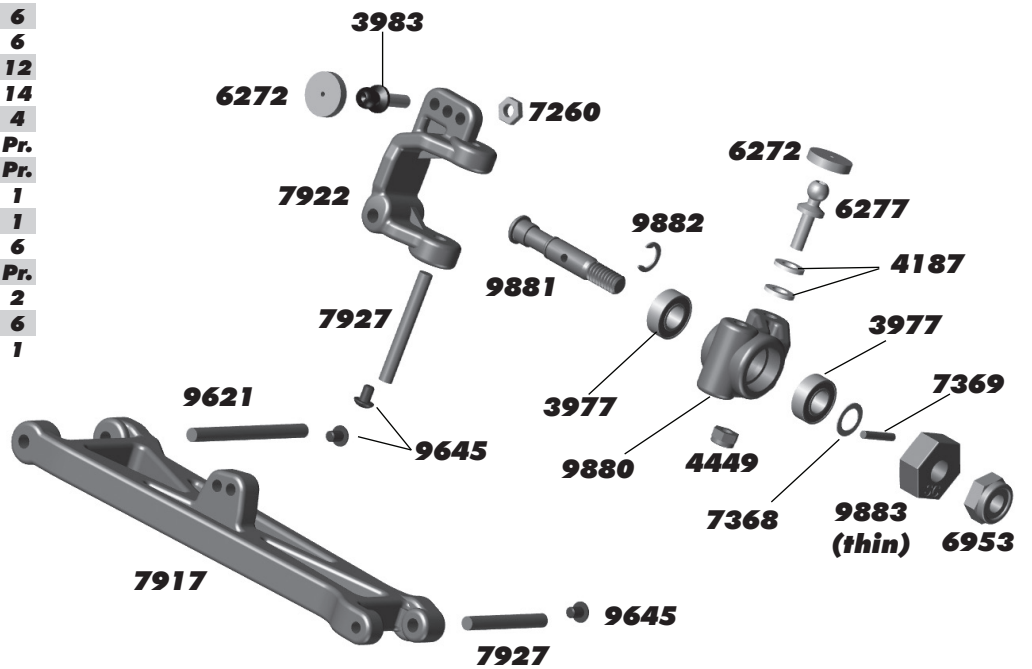
**:: Front Bulkhead**

4334	2-56 x 5/16 BHCS	8
6915	4-40 x 5/8 FHCS	6
6922	4-40 x 1/2 FHCS	6
6925	4-40 x 1/2 SHCS	6
7892	Front Sub Chassis	1
7893	Top Plate	1
9563	Front Bulkhead	1
9564	Front Chassis Brace	1



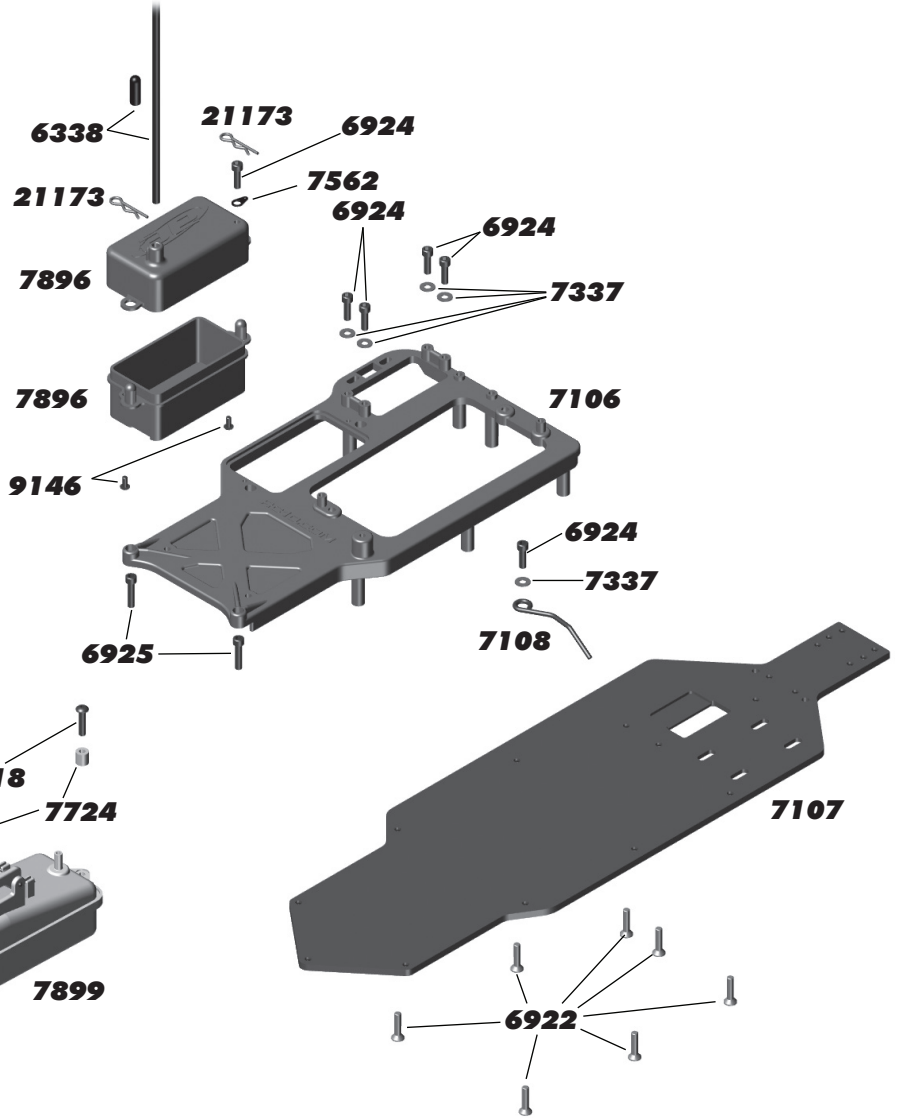
**:: Front Suspension**

3977	3/16 x 3/8 RS Ball Bearing	2
3983	Ballstud .30" Black, short	6
4187	.030" Nylon Washers	12
4449	4-40 x 3/16 Aluminum Locknut	5
6272	Foam Ballend Dust Covers	28
6277	Ballstud .30" Silver, short	6
6953	8-32 Low Profile Steel Locknut	6
7260	4-40 Small Plain Nut	12
7368	3/16" Axle Shim	14
7369	1/16" Universal Roll Pins	4
7917	Front Suspension Arm	Pr.
7922	30D Caster Blocks L&R	Pr.
7927	Outer Hinge Pins, Set	1
9621	Front / Rear Inner Hinge Pins	1
9645	2-56 x 1/8 BHCS	6
9880	SC10 Steering Blocks, Hex	Pr.
9881	SC10 Front Axle & C-Clips, Hex	2
9882	C-Clips, 3/16"	6
9883	SC10 Wheel Hex Adapters, Set	1



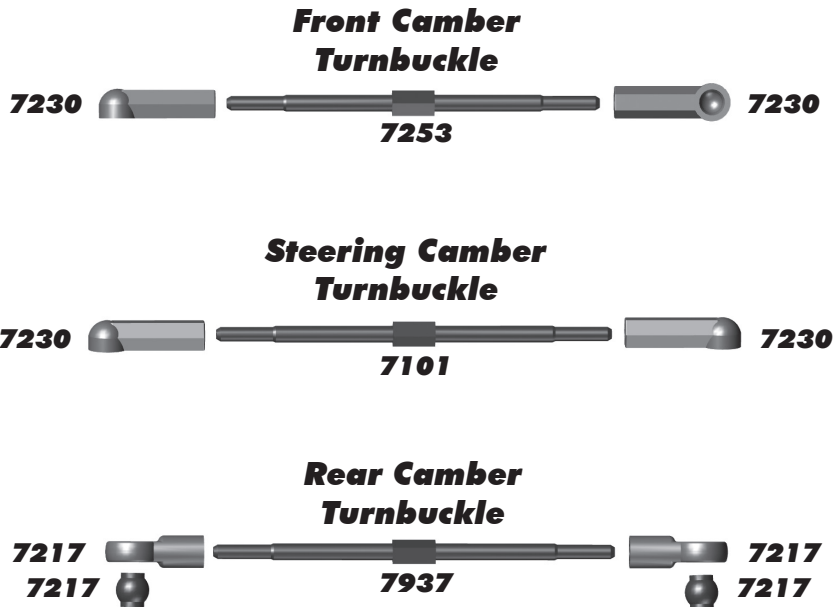
**:: Chassis / Radio Tray**

6288	4-40 x 1/4 BHCS	6
6292	4-40 x 3/8 FHCS	6
6338	Antenna Tube, 12" black	1
6915	4-40 x 5/8 FHCS	6
6918	4-40 x 1/2 BHCS	6
6922	4-40 x 1/2 FHCS	6
6923	4-40 x 3/4 FHCS	6
6924	4-40 x 3/8 SHCS	6
6925	4-40 x 1/2 SHCS	6
7106	SC10GT Radio Tray	1
7107	SC10GT Chassis	1
7108	SC10GT Muffler Wire	1
7337	.250 x .125 x .015 Washer	4
7562	Throttle Return Spring	1
7724	Fuel Line 15"	1
7891	Chassis Brace	1
7896	Receiver Box	1
7899	Fuel Tank	1
7928	Rear Arm Mounts	1
9146	2-56 x 3/16 BHCS	6
21173	Small Body Clips	12



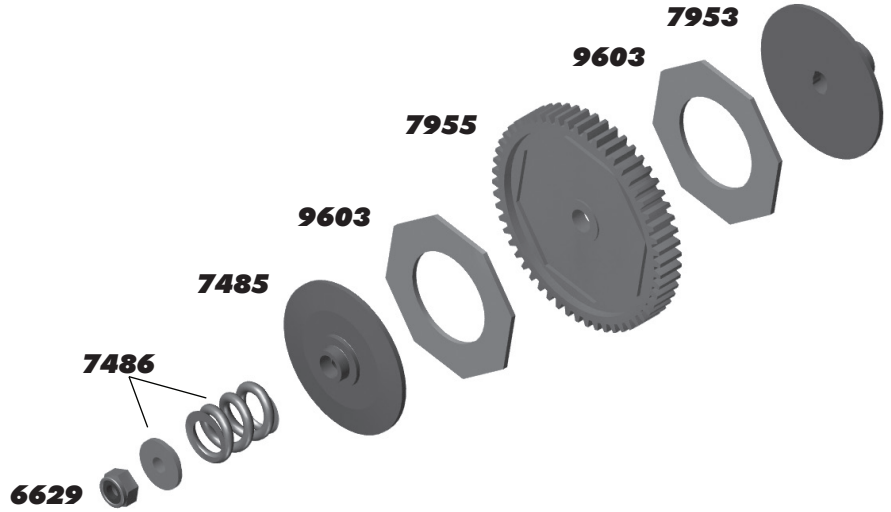
**:: Turnbuckles**

7101	Turnbuckle 2.80"	2
7217	Shock Rod Ends with Plastic Pivot Balls	2
7230	Ball Cups, Large	12
7253	Turnbuckle 2.62"	2
7911	Steering Servo Link	1
7937	Turnbuckle 3.00"	2



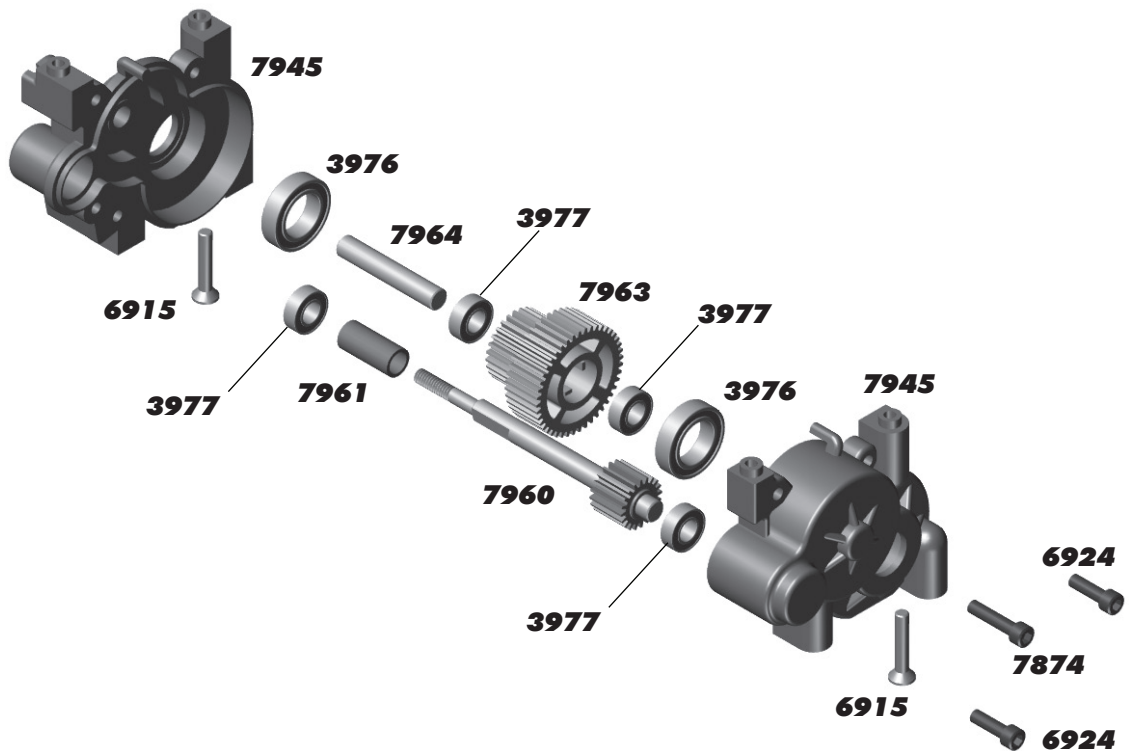
**:: Slipper**

6629	5-40 Locknuts	6
7485	FT V2 Slipper Hubs	2
7486	FT V2 Slipper Spring and Washer	1
7953	Slipper Hub Inboard	1
7955	54T Spur Gear - Kit	1
7956	55T Spur Gear	1
7957	56T Spur Gear	1
9603	Slipper Pads	2



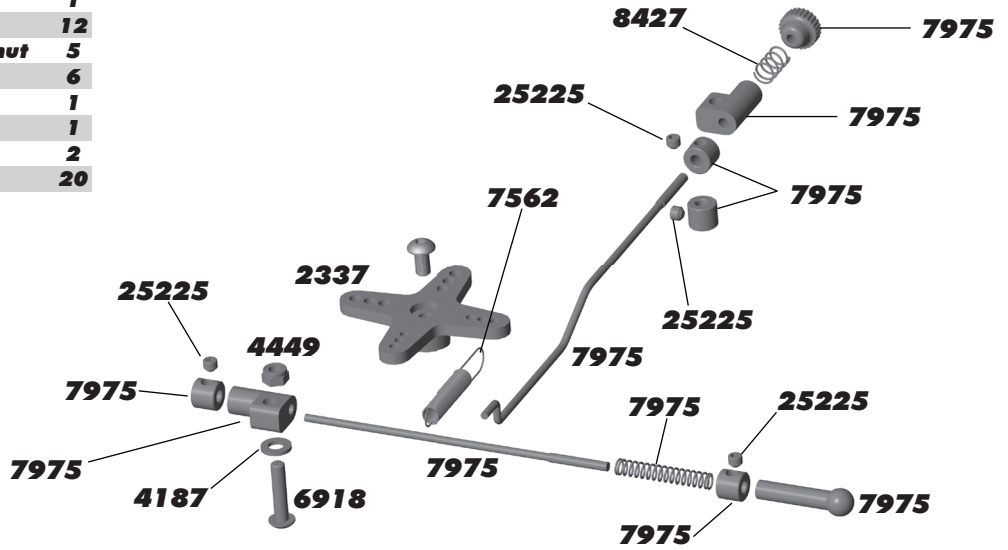
**:: Gearbox**

3976	3/8 x 5/8 RS Ball Bearing	2
3977	3/16 x 3/8 RS Ball Bearing	2
6915	4-40 x 5/8 FHCS	6
6924	4-40 x 3/8 SHCS	6
7874	4-40 x 7/16 SHCS	8
7945	Transmission Case	1
7960	Top Shaft	1
7961	Top Shaft Spacer	1
7963	Idler Gear (44T-28T)	1
7964	Idler Gear Shaft	1
7965	Transmission (Complete) Set	1



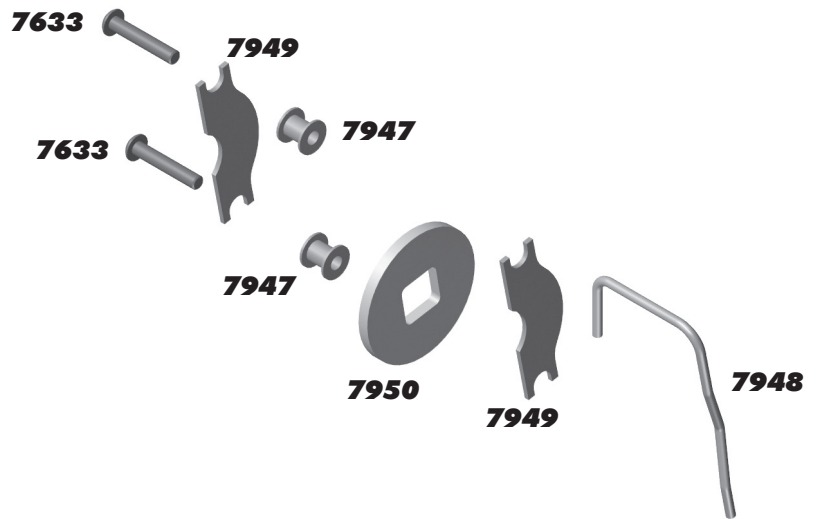
## :: Throttle / Brake Linkage

<b>2337</b>	<b>Throttle Servo Horn, Set</b>	<b>1</b>
<b>4187</b>	<b>.030" Nylon Washers</b>	<b>12</b>
<b>4449</b>	<b>4-40 x 3/16 Aluminum Locknut</b>	<b>5</b>
<b>6918</b>	<b>4-40 x 1/2 BHCS</b>	<b>6</b>
<b>7562</b>	<b>Throttle Return Spring</b>	<b>1</b>
<b>7975</b>	<b>Linkage Kit</b>	<b>1</b>
<b>8427</b>	<b>.018 Springs</b>	<b>2</b>
<b>25225</b>	<b>3x3mm Setscrew</b>	<b>20</b>



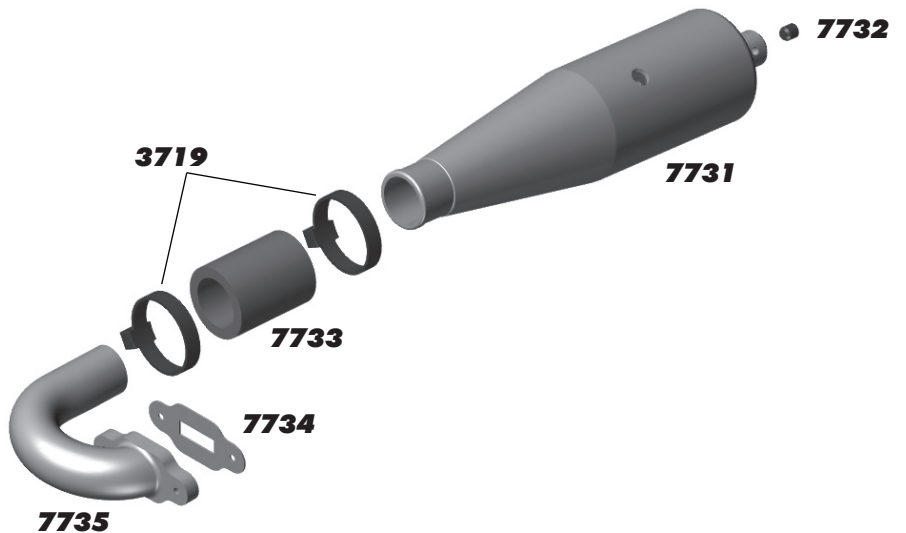
## :: Brakes

<b>7633</b>	<b>4-40 x 5/8 BHCS</b>	<b>6</b>
<b>7947</b>	<b>Brake Tophat Bushing</b>	<b>2</b>
<b>7948</b>	<b>Brake Cam</b>	<b>1</b>
<b>7949</b>	<b>Brake Pad</b>	<b>2</b>
<b>7950</b>	<b>Brake Disk</b>	<b>1</b>



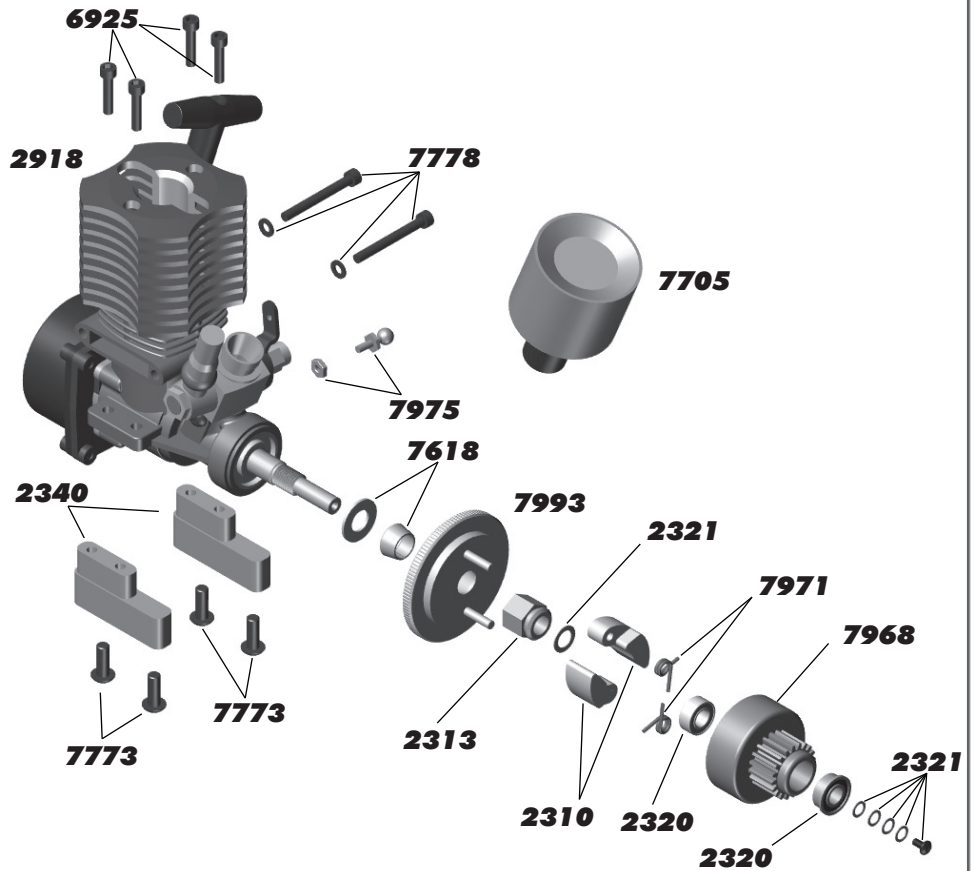
## :: Exhaust

<b>3719</b>	<b>6 Inch Nylon Wire Ties</b>	<b>12</b>
<b>7731</b>	<b>RPM Muffler</b>	<b>1</b>
<b>7732</b>	<b>4x4mm Set Screw</b>	<b>6</b>
<b>7733</b>	<b>Exhaust Tubing Coupler</b>	<b>1</b>
<b>7734</b>	<b>Manifold Gasket Side Exhaust</b>	<b>3</b>
<b>7735</b>	<b>Manifold, Side Exhaust</b>	<b>1</b>



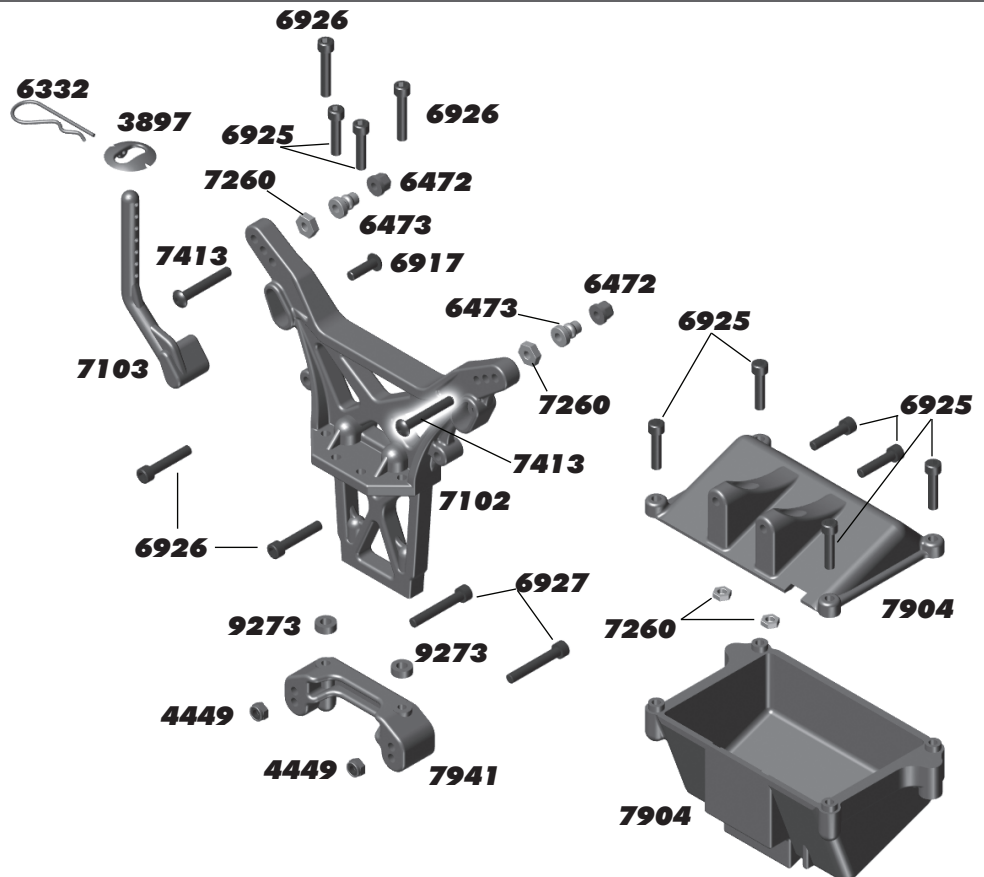
**:: Engine / Clutch / Air Filter**

2310	Clutch Shoes	2
2313	SG Crank Clutch Nut	1
2320	Clutch Bearings, Set	3
2321	Clutch Shim & Screws, Set	1
2340	Pull Start Engine Mount	2
2918	AE .18 Engine SG Crank	1
6925	4-40 x 1/2 SHCS	6
7618	Flywheel Collet & Shim	1
7705	Air Filter Kit	1
7773	6-32 x 3/8 BHCS	6
7778	3x30mm Manifold SHCS & Lock Washers	2
7967	Clutch Bell 21T	1
7968	Clutch Bell 20T - Kit	1
7969	Clutch Bell 19T	1
7970	Clutch Springs, 0.8mm	2
7971	Clutch Springs, 0.9mm - Kit	2
7975	Linkage Kit	1
7976	10mm Clutch Nut Wrench	1
7978	Flywheel Non -Pull Start 2-shoe	1
7993	Flywheel Pull Start 2-shoe - Kit	1



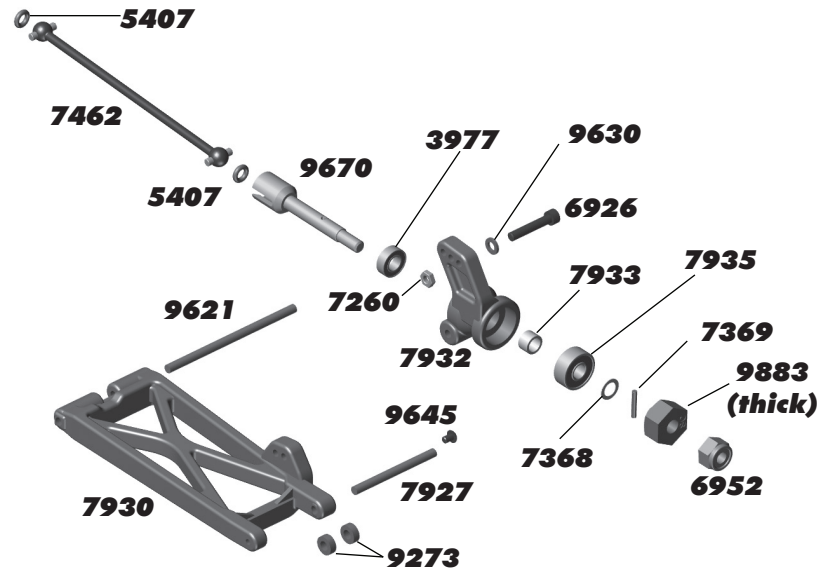
**:: Rear Shock Tower**

3897	Pivoting Body Mounts	4
4449	4-40 x 3/16 Locknut	5
6332	Body Clips	6
6472	Shock Mount Nuts	4
6473	Shock Bushings	4
6917	4-40 x 3/8 BHCS	6
6925	4-40 x 1/2 SHCS	6
6926	4-40 x 5/8 SHCS	6
6927	4-40 x 3/4 SHCS	6
7102	SC10GT Rear Shock Tower	1
7103	SC10GT Body Posts, Set	1
7260	4-40 Small Plain Nut	12
7413	4-40 x 3/4 BHCS	6
7904	Battery Box	1
7941	Rear Camber Link Mount	1
9273	Dogbone Spacer, with Spring	2



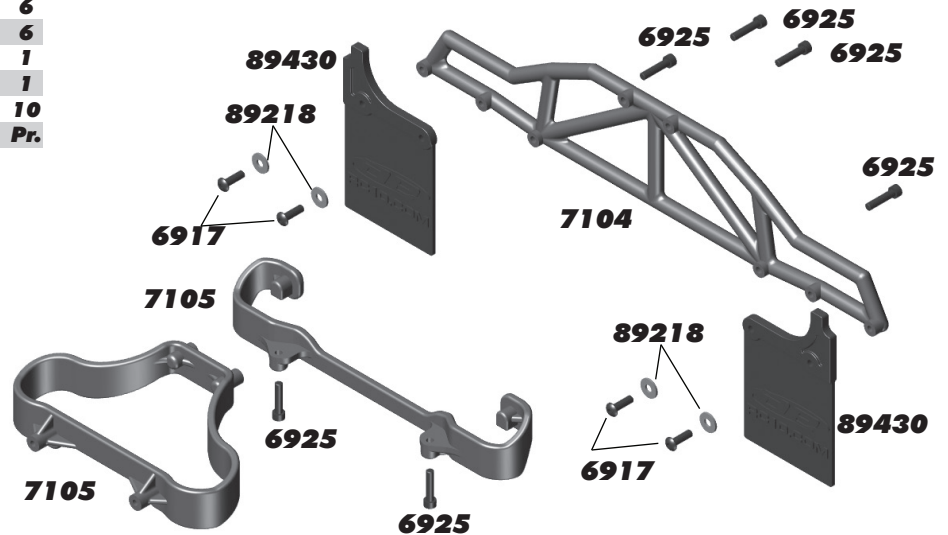
## :: Rear Suspension

3977	3/16 x 3/8 RS Ball Bearing	2
5407	Red O-Rings	8
6926	4-40 x 5/8 SHCS	6
6952	8-32 Locknut, Steel	6
7260	4-40 Small Plain Nut	12
7368	3/16 Axle Shim	14
7369	1/16" Universal Roll Pins	4
7462	T4/GT2 Dogbone	1
7927	Outer Hinge Pins, Set	1
7930	Rear Suspension Arms, L&R	Pr.
7932	1.5 Degree Rear Hubs L&R	Pr.
7933	Crush Tube	2
7935	.187 x .50 x .196 Bearing	2
9273	Dogbone Spacer, with Spring	2
9621	Front & Rear Inner Hinge Pin Set	1
9630	Ballstud Washer	10
9645	2-56 x 1/8 BHCS	6
9670	3/16 Rear Axle	2
9883	SC10 Wheel Hex Adapters Set	1



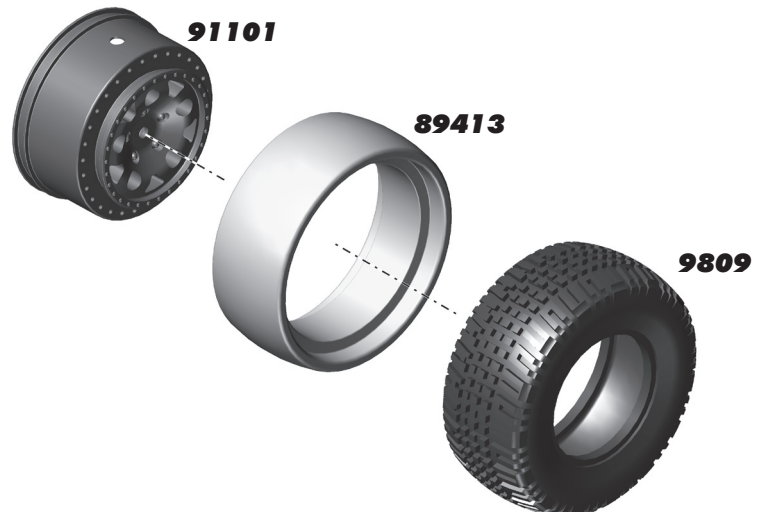
## :: Rear Bumper

6917	4-40 x 3/8 BHCS	6
6925	4-40 x 1/2 SHCS	6
7104	SC10GT Rear Bumper	1
7105	SC10GT Rear Bumper Mount Set	1
89218	3x8mm Washer	10
89430	Mud Flaps	Pr.



## :: Wheels, Tires, Inserts

9809	SC10 Tires w/Foam Inserts	2
89413	1/8 Molded Tire Inserts	2
91101	KMC Hex Wheels, Black (Kit)	2
91102	KMC Hex Wheels, Silver	2
91103	KMC Hex Wheels, Chrome	2
91104	KMC Hex Wheels/Tire Black	2
91105	KMC Hex Wheels/Tire Silver	2
91106	KMC Hex Wheels/Tire Chrome	2



**:: Factory Team and Option Parts**

1408	FT Titanium Turnbuckles, 2.65"	2
1417	FT Titanium Turnbuckles, 2.8"	2
1419	FT Titanium Turnbuckles, 3.0"	2
1420	FT Titanium Turnbuckle Set	1
1654	FT Solid Axle Pins	4
1710	FT Aluminum Non Pull Start Engine Mounts, blue	Pr.
1734	FT Body Clips, 4 Long, 6 Short	10
1735	FT Long Body Clips, Blue	4
1736	FT Short Body Clips, Blue	6
1766	FT Lightweight Outdrive Set	1
1777	FT Aluminum Shock Pivot Ball with Eyelet	4
1779	FT Aluminum Servo Mounts, blue	2
1780	FT Aluminum Shock Bushing Standard, blue	4
1781	FT Aluminum Shock Bushing Short, blue	4
6416	FT Shock Shaft Gold 1.32"	1
6417	FT Shock Shaft Gold 1.02"	1
6937	4-40 Aluminum Locknuts, blue	6
6943	FT Blue 8-32 Locknuts	4
7416	Shock Collar Threaded	Pr.
7476	FT V2 1.02" Threaded Shocks, Complete Set	1
7477	FT V2 1.02" Threaded Bodies, Set	1
7480	FT V2 1.32" Threaded Shocks, Complete Set	1
7481	FT V2 1.32" Threaded Bodies, Set	1
7484	FT V2 1:10 Shock Rebuild Kit	1
7485	FT V2 Slipper Hubs - Kit	Pr.
7486	FT V2 Slipper Spring and Washer	1
7495	FT V2 Vented Slipper Hubs (fits front only)	Pr.
7889	Steering Bearing Set	1
7989	Aluminum Chassis Brace, blue	1
7990	Aluminum Front Bulkhead, blue	1
9665	FT Hinge Pn Brace, blue	1
9795	Ti Nitride Ballstuds 4-40x.20 - long	2
9796	Ti Nitride Ballstuds 4-40x.30 - long	2
9797	Ti Nitride Ballstuds 4-40x.40 - long	2
9798	Ti Nitride Ballstuds 4-40x.20 - short	2
9799	Ti Nitride Ballstuds 4-40x.20 - short	2
31286	Aluminum Ballstud Washers, blue	2
31550	M3 Aluminum Locknuts, blue	6
91170	Hi -Torque Slipper Pad	2
91175	VTS Slipper Conversion	1
91176	VTS Slipper Housing	1
91177	VTS Slipper Pads	2
91178	VTS Slipper Plate	1
91179	VTS Slipper Hub, Outer	1

**:: AE Manifolds and Mufflers**

1771	FT Torque-Tuned Side Exhaust Tuned Pipe, blue	1
1772	FT Torque-Tuned Side Exhaust Tuned Pipe, natural	1
1773	FT Torque-Tuned Side Exhaust Tuned Pipe, black	1
1774	FT RPM-Tuned Side Exhaust Tuned Pipe, blue	1
7730	Torque Muffler	1
7731	RPM Muffler	1
7737	GT Rear Exhaust Manifold	1
7743	FT Torque-Tuned Side Exhaust Tuned Pipe, purple	1
7973	Rear Exhaust Manifold, black	1
7974	FT Smoothy Muffler, black	1
7977	Rear Exhaust Manifold, blue	1

**:: AE Nitro Engines and Accessories**

MC59	McCoy Glow Plug	1
1738	FT Glow Starter	1
1748	Nitro Fuel Bottle, 600cc	1
1749	Nitro Fuel Bottle, 400cc	1
1750	FT Starter Box	1
2403	Air Filter Slide Carb	1
3718	12 Inch Nylon Wire Ties	12
3719	6 Inch Nylon Wire Ties	12
3720	8 Inch Nylon Wire Ties	12
7705	Air Filter Kit	1
7706	Paper Filter Element	1
7707	Foam Prefilter Element	1
7708	Air Filter Boot	1
7709	4 Inch Nylon Wire Ties	12
7710	Pre Filter Treatment	1
7724	Fuel Line 15"	1
7725	Fuel Line 3'	1
7994	D Size Glow Igniter	1
25076	Fuel Primer Bulb	1
29013	Carb Retaining Bolt	1
29016	Ball Bearing 2 Pack	1
29017	Engine Screw Set	1
29021	.12/.15 /.18 Pull Start Handle Set	1
29023	.12/.15 /.18 Pull Start Spring	1
29025	.12/.15 /.18 Pull Start Wire	1
29034	Backplate (converts to non pull start)	1
29050	.12/.15/.18 Pull Start Oneway	1
29052	.12/.15 /.18 Pull Start Starting Axle	1
29053	.12/.15 /.18 Pull Start	1
29054	.12/.15 /.18 Pull Start Backplate	1
29056	.12/.15 /.18 Pull Start Wheel	1
29058	.12/.15 /.18 Pull Start Set (no oneway included)	1
29092	.18 Crankcase	1
29093	.18 Wrist Pin Assembly	1
29094	.18 Gasket Set	1
29095	.18 Crankshaft	1
29096	.18 Cylinder Head	1
29097	.18 Connecting Rod	1
29098	.18 Cylinder & Piston	1

**:: Bodies and Decals**

9836	SC10 Clear Body	1
9837	SC10 '09 Clear Body	1
9838	SC10 KMC Body, pre-painted & detailed	1
9840	SC10 Bully Dog Body, pre-painted & detailed	1
9842	SC10 AE Body, pre-painted & detailed	1
9843	SC10 KMC Decal Sheet	1
9844	SC10 Lucas Oil Decal Sheet	1
9846	SC10 Pro Comp Decal Sheet	1
9847	SC10 AE Decal Sheet	1
9848	SC10 Ready Lift Body, pre-painted & detailed	1
9849	SC10 Ready Lift Decal Sheet	1
9856	SC10 '09 Lucas Oil Body, pre-painted & detailed	1
9857	SC10 '09 Lucas Oil Decal Sheet	1
9858	SC10 '09 Pro Comp Body, pre-painted & detailed	1
9859	SC10 '09 Pro Comp Decal Sheet	1
9860	SC10 '09 Speed Tech Body, pre-painted & detailed	1
9861	SC10 '09 Speed Tech Decal Sheet	1
9862	SC10 '09 Rockstar/Makita Body, pre-painted & detailed	1
9863	SC10 '09 Rockstar/Makita Decal Sheet	1
9874	SC10 '09 Monster Energy Body, pre-painted & detailed	1
9875	SC10 '09 Monster Energy Decal Sheet	1
9876	SC10 Contender Body, clear	1
9886	SC10 09' Slick Mist Body, pre-painted & detailed	1
9887	SC10 Slick Mist Decal Sheet	1

**:: XP Electronics**

29107	S1903 Metal Gear Set	1
29125	S1903MG Servo	1
29126	S2008MG Servo	1
29127	S2008MG Gear Set	1
29150	XP2/XP3 RX/TX Charger, 110V	1
29156	XP3D FM Radio System 75mHz	1
29166	XP DS1313 Digital Servo	1
29167	XP DS1015 Digital Servo	1
29209	Gear Set, DS1313	1
29210	Gear Set, DS1015	1
29211	Servo Case, DS1313/DS1015	1
29212	Accessory Pack, DS1313/DS1015	1
29221	XP3SS 2.4GHz Radio System	1
29222	TRS401SS 2.4GHz 4Ch Receiver	1

**:: Reedy Batteries and Chargers**

302	AA Alkaline 1.5V (4)	1
303	AA 2700mAh NiMH 1.2V Rechargeable	1
604	526-S AC/DC 2S-6S LiPo/LiFe Charger	1
610	447-S AC/DC NiMH Peak Charger	1
612	1600 Series 6.0V Hump Receiver Pack	1
630	Pro RX Battery 1600mAh 7.4V 10C	1
632	TX Lightweight Battery 1350mAh 11.1V	1
633	TX Battery - 3PK, M11 3000mAh 11.1V	1
634	TX Battery - Helios, Z1 2400mAh 11.1V	1
635	Starter Box Battery 2200mAh 14.8V 20C	1
636	6.0V 5A Voltage Regulator	1
637	TX Battery - M11X 2500mAh 7.4V	1
638	LiFe 1700mAh RX Battery	1

**:: Reedy Accessories**

716	Reedy 09 Decal Set	1
28050	Reedy Turbo Glow Plug Caddy	1
SP35M	Reedy Logo T-Shirt - White M	1
SP35L	Reedy Logo T-Shirt - White L	1
SP35XL	Reedy Logo T-Shirt - White XL	1
SP35XXL	Reedy Logo T-Shirt - White XXL	1
SP35XXXL	Reedy Logo T-Shirt - White XXXL	1
SP36M	Reedy Logo T-Shirt - Black M	1
SP36L	Reedy Logo T-Shirt - Black L	1
SP36XL	Reedy Logo T-Shirt - Black XL	1
SP36XXL	Reedy Logo T-Shirt - Black XXL	1
SP36XXXL	Reedy Logo T-Shirt - Black XXXL	1
SP37S	Reedy Retro T-shirt - Black S	1
SP37M	Reedy Retro T-shirt - Black M	1
SP37L	Reedy Retro T-shirt - Black L	1
SP37XL	Reedy Retro T-shirt - Black XL	1
SP37XXL	Reedy Retro T-shirt - Black XXL	1
SP37XXXL	Reedy Retro T-shirt - Black XXXL	1
SP38	Reedy Trucker Hat	1
SP39	Reedy Patch	1
SP417	Factory Team 1/10 Motor Storage Bag	1
SP418	Factory Team 1/10 Car Carrier Bag	1

**:: LRP Charger, Power Supply, Balancer, Iron**

LRP41281	Quadra Pro 2 Charger	1
LRP41552	Pulsar Competition 3 Charger	1
LRP41555	Pulsar Touch Charger	1
LRP42103	LiPo Balance Board XH	1
LRP42104	LiPo Balance Board FP/TP	1
LRP42105	LiPo Balance Board PQ	1
LRP42305	Temp. Sensor for Pulsar Touch	1
LRP43150	Power Supply Competition	1
LRP45200	LiPo Parallel Balancer	1
LRP65800	High Power Solder Station	1
LRP65802	Soldering Tip 5mm	1
LRP65803	Soldering Tip 1.2mm	1
LRP65804	Soldering Handle	1

**:: RePlay Cameras**

RP001	Replay XD1080 Complete Camera System	1
RP002	Replay XD720 Complete Camera System	1
RP021	Replay XD1080 Lens Bezel Kit	1
RP022	Replay XD1080 Clear Lens Cover	1
RP023	Replay XD1080 Lens Bezel & Rear Cap O-Ring	1
RP029	Replay XD1080 HDMI to Mini-HDMI	1
RP030	Replay XD1080 Mini 8-pin USB Charge Data Cable	1
RP032	USB DC Car Charger 1A Stubby	1
RP033	USB DC Car Charger 500mAh	1
RP034	Micro SDHC USB Reader	1
RP036	3M VHB 4991 Mount Adhesive for SnapTray	1
RP037	3M VHB 5962 Mount Adhesive for Pro Flat Mount	1
RP038	3M VHB 5962 Mount Adhesive for SnapTray	1
RP041	Replay XD Suction Cup Arm Mini Clamp	1
RP042	Replay XD Suction Cup Short Arm Base	1
RP043	Replay XD Skateboard Mount	1
RP044	Replay XD VHB SnapTray, Convex	1
RP045	Replay XD VHB SnapTray, Flat	1
RP046	Au Plug for Universal DC Wall Charger	1
RP047	Eu Plug for Universal DC Wall Charger	1
RP048	Uk Plug for Universal DC Wall Charger	1
RP049	Universal USB DC Wall Charger 1A	1

**:: Apparel**

SP35**	Reedy 09' White T-Shirt (M, L, XL, 2XL, 3XL)	1
SP36**	Reedy 09' Black T-Shirt (M, L, XL, 2XL, 3XL)	1
SP62**	AE Vertigo Long Sleeve T-Shirt (S, M, L, XL, 2XL)	1
SP63**	AE Vertigo White T-Shirt (S, M, L, XL, 2XL, 3XL, 4XL)	1
SP64**	AE Vertigo Blue T-Shirt (S, M, L, XL, 2XL, 3XL, 4XL)	1
SP65**	AE Vertigo Black T-Shirt (S, M, L, XL, 2XL, 3XL, 4XL)	1
SP66**	AE Stencil Blue T-Shirt (S, M, L, XL, 2XL, 3XL, 4XL)	1
SP67**	AE Stencil Gray Sweatshirt (S, M, L, XL, 2XL, 3XL)	1
SP69**	AE 26 Time World Championship T-Shirt, Black (S, M, L, XL, 2XL, 3XL)	1
SP70**	Associated Windbreaker (S, M, L, XL, 2XL, 3XL)	1
SP71**	Associated Winter Jacket (S, M, L, XL, 2XL)	1
SP411S	AE Hat 11' Flatbill Black S/M	1
SP411L	AE Hat 11' Flatbill Black L/XL	1
SP413S	26 Time World Championship Hat S/M	1
SP413L	26 Time World Championship Hat L/XL	1
SP416	1/10 Car Carrier Bag Only	1
SP417	1/10 FT Motor Bag	1
SP420**	AE Pit Gloves (M, L, XL)	Pr.
715	Reedy 2009 Track Banner	1
110684	Team Associated Track Banner	1

\*\* Use part number plus the desired size when ordering!



**:: 1/18 Kits and RTR's**

20103	RC18B2 - RC18T2 Team Kit	1
20104	RC18T2 Brushless RTR (ready-to-run)	1
20105	RC18B RTR (ready-to-run)	1
20106	RC18B2 2.4ghz RTR (ready-to-run)	1
20108	RC18B2 Brushless RTR (ready-to-run)	1
20110	RC18MT RTR (ready-to-run)	1
20115	RC18R Kamino RTR (ready-to-run)	1
20118	RC18R Niteline RTR (ready-to-run)	1
20121	SC18 Brushless RTR (ready-to-run)	1
20130	RC18LM RTR (ready-to-run)	1

**:: 1/12, 1/10 Kits and RTR's**

2042	Nitro TC3 RTR Plus (ready-to-run)	1
4019	FT 12R5.1 Kit	1
7023	RC10T4.1 FT Kit	1
7029	SC10 Associated/RC10.com Truck RTR (ready-to-run)	1
7030	SC10 KMC Wheels Race Truck RTR (ready-to-run)	1
7032	SC10 Ready Lift RTR (ready-to-run)	1
7034	SC10 FT Kit	1
7037	RC10T4.1 RTR 2.4GHz Brushless (ready-to-run)	1
7046	SC10 RS RTR, 2.4ghz Brushless Lucas Oil Body	1
7047	SC10 RS RTR, 2.4ghz Brushless Monster Energy Body	1
7048	SC10 RS RTR, 2.4ghz Brushless Pro Comp Body	1
7049	SC10 RS RTR, 2.4ghz Brushless Rockstar/Makita Body	1
7080	FT GT2 Nitro Truck Kit	1
7092	GT2 RS Truck Nitro RTR (ready-to-run)	1
7093	SC10 GT Nitro RTR (ready-to-run)	1
8020	FT RC10R5 Kit	1
8021	FT RC10R5-OVAL Kit	1
9039	RC10B4.1 RTR 2.4GHz Brushless (ready-to-run)	1
9040	RC10B4.1 Worlds Kit	1
9061	FT B44.1 4WD Buggy Kit	1
30107	FT TC6.1 4WD Touring Car Kit	1
30111	TC4 4WD Touring Car RTR (ready-to-run)	1
90004	SC10 4x4 Kit	1
90005	SC10 4x4 Lucas Oil RTR (ready-to-run)	1
90006	SC10 4x4 Pro Comp RTR (ready-to-run)	1
90007	SC10 4x4 Rockstar/Makita RTR (ready-to-run)	1
90010	SC10 4x4 FT Kit	1

**:: 1/8 Kits and RTR's**

20503	Limited Edition MGT 4.60 Nitro RTR, w/flag body (ready-to-run)	1
20504	Limited Edition MGT 8.0 Nitro RTR, w/flag body (ready-to-run)	1
80904	FT RC8Be Electric Buggy Kit	1
80905	RC8RS "Race Spec" Nitro Buggy RTR (ready-to-run)	1
80906	RC8.2 FT Nitro Buggy Kit	1
80907	RC8.2e FT Electric Buggy Kit	1
80912	RC8T Championship Edition	1
80922	SC8 Short Course Race Truck, KMC Wheels Nitro RTR (ready-to-run)	1
80923	SC8 Short Course Race Truck, Bully Dog Nitro RTR (ready-to-run)	1
80924	SC8 Short Course Race Truck, AE Team Nitro RTR (ready-to-run)	1
80925	SC8 Short Course Race Truck, Pro Comp Nitro RTR (ready-to-run)	1
80932	SC8e Short Course Race Truck Rockstar/Makita RTR (ready-to-run)	1

**:: Tools**

1111	FT Turnbuckle Wrench	1
1112	FT 4mm Turnbuckle Wrench (4x4 only)	1
1449	Offroad Ride Height Gauge	1
1450	FT Ride Height Gauge	1
1541	FT Hex Driver Set, (7 pcs)	1
1542	FT .050" Silver Hex Driver	1
1543	FT 1/16" Black Hex Driver	1
1544	FT 1.5mm Purple Hex Driver	1
1545	FT 5/64" Blue Hex Driver	1
1546	FT 3/32" Gold Hex Driver	1
1547	FT 2.5mm Green Hex Driver	1
1548	FT 3mm Red Hex Driver	1
1551	FT Screwdriver Set	1
1553	FT Phillips Silver Screwdriver	1
1554	FT Silver Spring Hook Tool	1
1561	FT Nut Driver Set, (6 pcs)	1
1562	FT 3/16" Black Nut Driver	1
1563	FT 1/4" Red Nut Driver	1
1564	FT 5.5mm Red Nut Driver	1
1565	FT 11/32" Green Nut Driver	1
1567	FT 8mm Gold Nut Driver	1
1589	FT 5/64" Blue Ball Hex Driver	1
1590	FT 3/32" Gold Ball Hex Driver	1
1592	FT Ball Hex Driver Set, (3 pcs)	1
1655	FT 8-Piece 1/4" Hex Drive Set	1
1656	FT 1/4" Hex Drive Handle, without tips	1
1657	FT 1/4" Hex Drive .050" Tip	1
1658	FT 1/4" Hex Drive 1/16" Tip	1
1659	FT 1/4" Hex Drive 5/64" - 2.0mm Tip	1
1660	FT 1/4" Hex Drive 3/32" Tip	1
1661	FT 1/4" Hex Drive 1.5mm Tip	1
1662	FT 1/4" Hex Drive 2.5mm Tip	1
1663	FT 1/4" Hex Drive 3/16" Nut Driver Tip	1
1664	FT 1/4" Hex Drive 1/4" Nut Driver Tip	1
1665	FT 1/4" Hex Drive 11/32" Nut Driver Tip	1
1666	FT 1/4" Hex Drive 5.5mm Nut Driver Tip	1
1667	FT 1/4" Hex Drive 7.0mm Nut Driver Tip	1
1668	FT 1/4" Hex Drive 8.0mm Nut Driver Tip	1
1669	FT 1/4" Hex Drive 5/64" - 2.0mm Ball End Tip	1
1670	FT 1/4" Hex Drive 3/32" Ball End Tip	1
1671	FT 1/4" Hex Drive Flat Screwdriver Tip	1
1672	FT 1/4" Hex Drive Phillips Screwdriver Tip	1
1673	FT 1/4" Hex Drive 2.5mm Ball End Tip	1
1674	FT 1/4" 5 Piece Power Tool Tips Set (5/64-2.0mm, 1.5mm, 2.5mm, 5/64"- 2.0mm ball, 2.5mm ball)	1
1719	FT Camber + Track Width Tool	1
1737	FT Body Scissors	1
3718	12 Inch Nylon Wire Ties	12
3719	6 Inch Nylon Wire Ties	12
3720	8 Inch Nylon Wire Ties	12
3987	FT Droop Gauge	1
6429	Shock Building Tool	1
6956	Molded Tools, Set	1
7494	V2 Stamped Multi Tool	1
7709	4 Inch Nylon Wire Ties	12
7976	10mm Clutch Nut Wrench	1
91107	13mm Shock Tools	1

**Associated Electrics, Inc.**  
**26021 Commercentre Drive**  
**Lake Forest, CA 92630-8853 USA**  
<http://www.TeamAssociated.com>  
<http://www.RC10.com>  
[http://twitter/Team Associated](http://twitter/TeamAssociated)  
<http://bit.ly/AEonFacebook>

**call: (949) 544-7500 fax: (949) 544-7501**  
**Check out the following web sites for all of our**  
**electric kits, current products, new releases, setup**  
**help, tips, and racing info!**  
**www.TeamAssociated.com. - www.RC10.com**

**:: Notes**

Blank area for notes.

### Front Suspension

**Washers:** 2mm

**Ballstud:** 0.30" long

**Washers:** 1

**Camber:** -1 degree

**Toe:** 0 degree

**Ride Height:** 32mm

**Caster:**

20°

25°

30°

### Rear Suspension

**Washers:** 1

**Wheelbase:**

Long

Medium

Short

**Camber:** -1 degree

**Anti-Squat:** 2 degree

**Ride Height:** 31mm

**Hub Toe:** 1.5 degree

### Front Shocks

**Spring:** Gold 3.70lb      **Piston:** #3

**Shock Fluid:** 30 wt      **Limiter:** 5

**Rebound:** \_\_\_\_\_

### Rear Shocks

**Spring:** Green 1.90lb      **Piston:** #1

**Shock Fluid:** 30 wt      **Limiter:** 2

**Rebound:** \_\_\_\_\_

### Engine

**Engine:** AE .18 #2918      **Size:** AE .18

**Restrictor:** \_\_\_\_\_      **Temp:** \_\_\_\_\_

**Muffler:** AE RPM Tuned Muffler

**Glow Plug:** \_\_\_\_\_      **Fuel:** \_\_\_\_\_

**Radio:** \_\_\_\_\_      **Brake Bias:** 4mm

**Throttle / Steering Servos:** \_\_\_\_\_ / \_\_\_\_\_

**Throttle / Brake e.p.a:** \_\_\_\_\_

**Throttle / Brake expo:** \_\_\_\_\_

**Steering expo:** \_\_\_\_\_

**Dual Rate:** \_\_\_\_\_

### Slipper / Gearing / Clutch

**Slipper:** 3.0mm threads exposed

**Clutch Bell / Spur Gear:** 20T / 54T

**Clutch Shoes:** #2310

**Clutch Springs:** 0.9mm

### Chassis

**Chassis Brace:** **Plastic**  **Aluminum**

**Chassis Weight:** \_\_\_\_\_

### Front Tires

**Tire:** AE #9809      **Compound:** \_\_\_\_\_

**Insert:** AE #89413      **Wheel:** AE #91101

**Notes:** \_\_\_\_\_

### Rear Tires

**Tire:** JConcepts Subculture      **Compound:** Green

**Insert:** JConcepts      **Wheel:** AE #91101

**Notes:** \_\_\_\_\_

### Body

**Body Type:** SC10 #9836      **Notes:** \_\_\_\_\_

### Track Info

**Smooth:**       **Bumpy:**       **Blue Groove:**

**Traction:**      **High:**       **Medium:**       **Low:**

**Soft Dirt:**       **Grass:**       **Clay:**       **Wet:**

**Dusty:**       **Other:** \_\_\_\_\_







### Race and Vehicle Comments

**Qualify:** \_\_\_\_\_      **Main:** \_\_\_\_\_      **Finish:** \_\_\_\_\_      **TQ:** \_\_\_\_\_

**Comments:** \_\_\_\_\_

**:: Hardware - 1:1 Scale View**











**Socket Head (shcs)**

-  **4-40 x 3/8 (6924)**
-  **4-40 x 1/2 (6925)**
-  **4-40 x 5/8 (6926)**
-  **4-40 x 3/4 (6927)**
-  **4-40 x 7/8 (7738)**
-  **3x30mm (7778)**








**Flat Head (fhcs)**

-  **4-40 x 3/8 (6292)**
-  **4-40 x 1/2 (6922)**
-  **4-40 x 5/8 (6915)**
-  **4-40 x 3/4 (6923)**





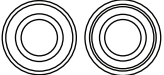


**Button Head (bhcs)**

-  **2-56 x 1/8 (9645)**
-  **2-56 x 3/16 (9146)**
-  **2-56 x 5/16 (4334)**
-  **4-40 x 1/4 (6288)**
-  **4-40 x 3/8 (6917)**
-  **4-40 x 1/2 (6918)**
-  **4-40 x 5/8 (7633)**
-  **4-40 x 3/4 (7413)**
-  **Clutch screw (2321)**
-  **6-32 x 3/8 (7773)**










**Nuts (lock/plain)**

-  **4-40 small plain nut (7260)**
-  **4-40 aluminum lock nut (4449)**
-  **Shock mount nut (6472)**
-  **4-40 nut (6295)**
-  **5-40 lock nut (6629)**
-  **8-32 lock nut, steel (6952)**
-  **8-32 low profile lock nut, steel (6953)**




**Ball Bearings**

-  **1/8 x 1/4 bushing (2234)**
-  **5/64 x 1/4 bearing (7908)**
-  **5/32 x 5/16 x .125 bearing (6589)**
-  **3/16 x 3/8 RS bearing (3977)**
-  **Clutch bearings (2320)**
-  **.187 x .50 x .196 bearing (7935)**
-  **3/8 x 5/8 RS bearing (3976)**

**Shims and Washers**

-  **Ballstud washer (9630)**
-  **Manifold lock washers (7778)**
-  **.03 nylon washer (4187)**
-  **Gold washer (7337)**
-  **Shock downstops, travel limiters (6466)**
-  **Dogbone spacer (9273)**
-  **3/16" axle shim (7368)**
-  **Clutch shims (2321)**
-  **Washer 3x8mm (89218)**

**Ballstuds**

-  **.30" Black short (3983)**  
**Ti Nitride .30" - short (9799)**
-  **.20" Silver short (6276)**  
**Ti Nitride .20" - short (9798)**
-  **.30" Silver long (6277)**  
**Ti Nitride .30" - long (9796)**

**Setcrew**

-  **3x3mm (25225)**
-  **4x4mm (7732)**

**Notes:**

### Front Suspension

**Washers:** \_\_\_\_\_

**Ballstud:** \_\_\_\_\_

**Washers:** \_\_\_\_\_

**Camber:** \_\_\_\_\_

**Toe:** \_\_\_\_\_

**Ride Height:** \_\_\_\_\_

**Caster:**

20°   
 25°   
 30°

### Rear Suspension

**Washers:** \_\_\_\_\_

**Wheelbase:**

Long   
 Medium   
 Short

**Camber:** \_\_\_\_\_

**Anti-Squat:** \_\_\_\_\_

**Ride Height:** \_\_\_\_\_

**Hub Toe:** \_\_\_\_\_

### Front Shocks

**Spring:** \_\_\_\_\_ **Piston:** \_\_\_\_\_  
**Shock Fluid:** \_\_\_\_\_ **Limiters:** \_\_\_\_\_  
**Rebound:** \_\_\_\_\_

### Rear Shocks

**Spring:** \_\_\_\_\_ **Piston:** \_\_\_\_\_  
**Shock Fluid:** \_\_\_\_\_ **Limiters:** \_\_\_\_\_  
**Rebound:** \_\_\_\_\_

### Engine

**Engine:** \_\_\_\_\_ **Size:** \_\_\_\_\_  
**Restrictor:** \_\_\_\_\_ **Temp:** \_\_\_\_\_  
**Muffler:** \_\_\_\_\_  
**Glow Plug:** \_\_\_\_\_ **Fuel:** \_\_\_\_\_

**Radio:** \_\_\_\_\_ **Brake Bias:** \_\_\_\_\_  
**Throttle / Steering Servos:** \_\_\_\_\_/  
**Throttle / Brake e.p.a.:** \_\_\_\_\_  
**Throttle / Brake expo:** \_\_\_\_\_  
**Steering expo:** \_\_\_\_\_  
**Dual Rate:** \_\_\_\_\_

### Slipper / Gearing / Clutch

**Slipper:** \_\_\_\_\_  
**Clutch Bell / Spur Gear:** \_\_\_\_\_/  
**Clutch Shoes:** \_\_\_\_\_  
**Clutch Springs:** \_\_\_\_\_

### Chassis

**Chassis Brace:** Plastic  Aluminum  \_\_\_\_\_  
**Chassis Weight:** \_\_\_\_\_

### Front Tires

**Tire:** \_\_\_\_\_ **Compound:** \_\_\_\_\_  
**Insert:** \_\_\_\_\_ **Wheel:** \_\_\_\_\_  
**Notes:** \_\_\_\_\_

### Rear Tires

**Tire:** \_\_\_\_\_ **Compound:** \_\_\_\_\_  
**Insert:** \_\_\_\_\_ **Wheel:** \_\_\_\_\_  
**Notes:** \_\_\_\_\_

### Body

**Body Type:** \_\_\_\_\_ **Notes:** \_\_\_\_\_

### Track Info

**Smooth:**  **Bumpy:**  **Blue Groove:**   
**Traction:** **High:**  **Medium:**  **Low:**   
**Soft Dirt:**  **Grass:**  **Clay:**  **Wet:**   
**Dusty:**  **Other:** \_\_\_\_\_

### Race and Vehicle Comments

**Qualify:** \_\_\_\_\_ **Main:** \_\_\_\_\_ **Finish:** \_\_\_\_\_ **TQ:** \_\_\_\_\_  
**Comments:** \_\_\_\_\_



**Associated Electrics, Inc.  
26021 Commercentre Dr.  
Lake Forest, CA 92630 USA**

**<http://www.TeamAssociated.com>**

**<https://www.RC10.com>**

**[https://twitter/Team\\_Associated](https://twitter/Team_Associated)**

**<https://bit.ly/AEonFacebook>**

**call: (949) 544-7500 - fax: (949) 544-7501**

**Check out the following web sites for all of our kits,  
current products, new releases, setup help, tips, and racing info!  
[www.TeamAssociated.com](http://www.TeamAssociated.com) - [www.RC10.com](http://www.RC10.com)**